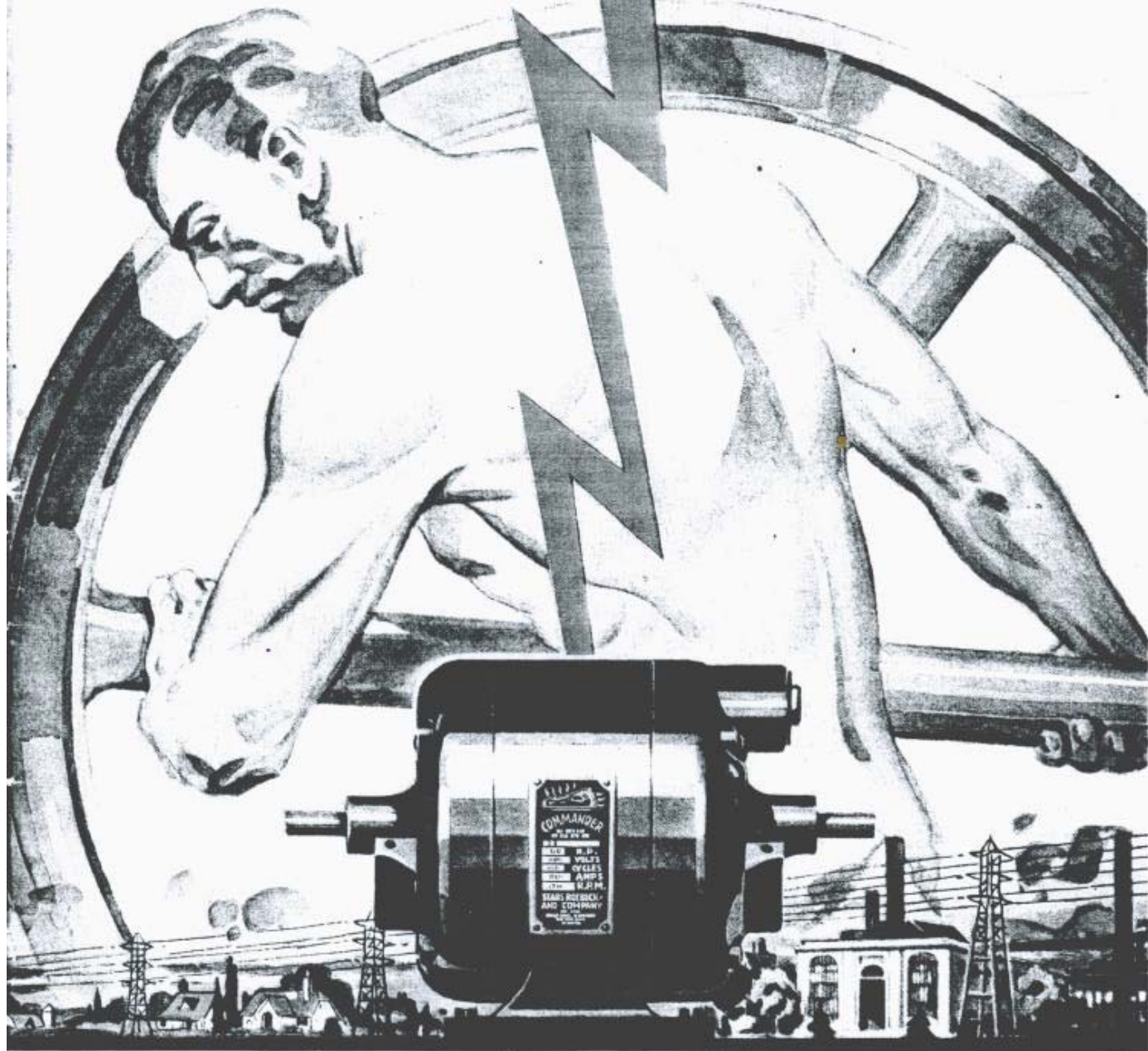


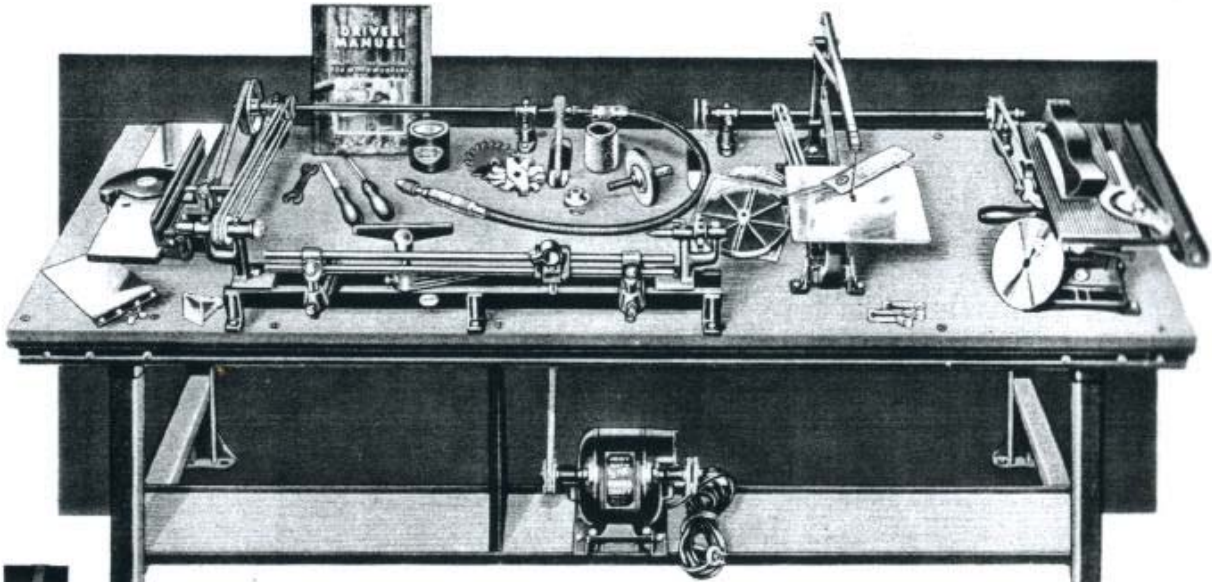
ELECTRICAL POWER TOOLS

and Shop Equipment



Sears, Roebuck and Co.
The World's Largest Store

The "DRIVER" Home Workshop



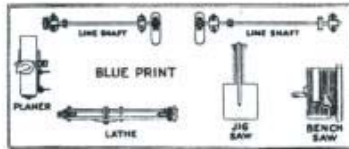
\$59⁵⁰
CASH

COMPLETE

EASY PAYMENTS

\$13⁰⁰
DOWN

Balance Monthly



Every essential tool, ready to set up in your workshop and operate from ordinary house current! The "DRIVER" outfit is especially designed for the home craftsman, but is strong and capable of turning out woodworking jobs of all kinds . . . and the price is so low!

A RECENT DEVELOPMENT

Such workshops as the "DRIVER" have been available only a comparatively short time. Prices are higher elsewhere for the same type of outfit . . . we save you money and guarantee to satisfy you completely!

Think what these tools will do installed in your own workshop . . . wood-turning, planing, jointing either straight or at an angle, jig-sawing, silhouetting, grooving, dadoing and rabbeting, sanding, grinding, drilling and fluting. Complete shop includes the following tools described elsewhere in this book. 99B5068—Lathe; 9B5312—Bench Saw; 9B5308—Planer; 9B5351—Jig Saw; 9B5315—Flexible Shaft, Dado or Groover, Flexible Coupling, Drum Sander, Glue, Manual, Shaft Hangers, Line Shaft, Work Arbor with 4-in. Grindstone, Pulleys, Belting and Work Bench. Sears low price places the "DRIVER" complete workshop in reach of all! Order **TO-DAY** . . . and have all the things you've planned to make.

COMPLETE "DRIVER" WORKSHOP

99BM507 — "DRIVER" Workshop, Complete, with Bench, 1/2-H.P., A.C., 60-cycle 110 to 120-volt, heavy duty type electric motor. Ready to operate. Shipping weight, 210 lbs. Cash Price . . . \$59.50
On Easy Payments (\$13.00 Down, \$9.00 a Month) . . . \$65.45

99BM5094—"DRIVER" Workshop without bench or motor. Shipping weight, 110 lbs. Cash Price . . . \$42.00

On Easy Payments (\$9.00 Down, \$6.50 a month) . . . \$46.20

99BM5095 — "DRIVER" Workshop with motor, but without bench. Shipping weight, 135 lbs. Cash Price . . \$52.00

On Easy Payments (\$11.00 Down, \$8.00 a month) . . . \$57.20

When ordering on easy payments use Time Payment side of Order Blank enclosed with this catalog. All "DRIVER" Workshops shipped by freight or express, Not Prepaid.

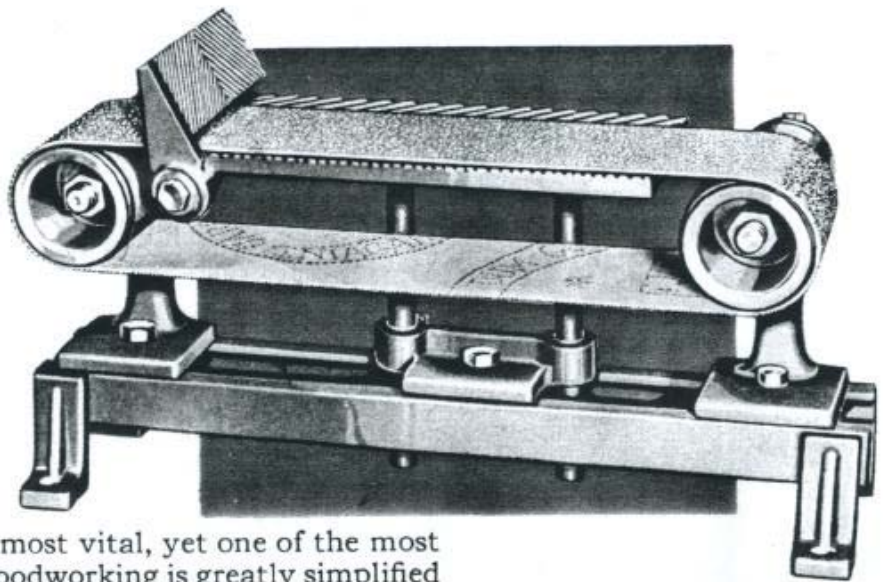


"DRIVER" BELT SANDER

\$5²⁵—

AS SHOWN

Postpaid



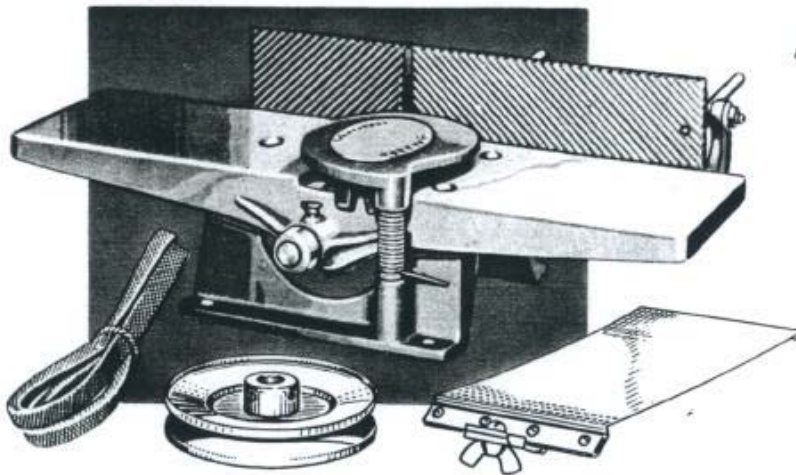
Sanding—one of the most vital, yet one of the most tedious operations in woodworking is greatly simplified by this ingenious machine.

The "DRIVER" belt sander eliminates much of the hand work and saves considerable time. The endless abrasive belt traveling over rubber faced pulleys quickly puts a smooth, straight grain finish on wood, bakelite and metal objects pressed lightly against it. A flat metal bed under the belt preserves straight lines and sharp edges. The adjustable fence permits accurate sanding of angles such as those used in mitered corners, etc. For sanding extra long pieces, the fence is easily removed. Furnished without motor.

Excellent results in sharpening chisels, planer blades and other keen edged tools are obtained with the belt sander because it grinds the entire surface all the time and does not overheat the tool.

Operating speeds of 1750 R.P.M. or 3500 R.P.M. are both satisfactory, the slower speed being preferred for light sanding of small articles while the higher speed is desirable for heavy work. For 1750 use 9B5324 pulley on countershaft. For 3500 use 9B6644 pulley. Ht. 9 in., Lgth. 15 in.

99B5090—Belt Sander, Postpaid \$5.25
9B5376—Extra Abrasive Belt for above 30" x 3" Coarse or fine. State choice. Wt., 2 oz. Postpaid with orders of \$2.00 or more. See page 1. Each .39
(Parts for this machine shown on Page 11)



"DRIVER" PLANER OR JOINTER

\$6⁹⁸—

Postpaid
Complete as Shown

The "DRIVER" Planer or Jointer is of sturdy construction, designed for accurate high-speed work. It is the rigid table type employing a simple thickness plate clamped over either table for varying the depth of cut. On the lower table it reduces the standard cut from 1/16" to 1/32". On the opposite table it increases the cut to 3/32", thus providing three depths of cut. Stock up to 4" wide may be planed. Length of table, 16 in.

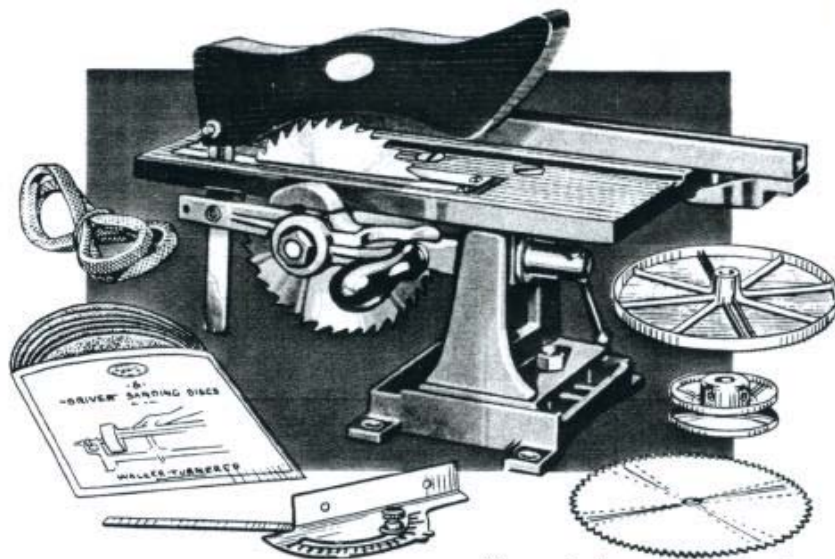
An improved fence which tilts at any angle can be moved in an upright position across the table distributing the wear to the full width of the blades. The cutter head of non-shatterable alloy is the latest approved round safety type. Blades are high

carbon steel. A protective guard actuated by a return spring swings over the blades so that either the wood being planed or the guard itself keep them covered at all times. As a safety precaution the planer should never be operated without the guard in place.

Driven at about 5000 R.P.M. by the "V" type transmission which minimizes slipping. Pulleys, belt and adjusting plate supplied.

9B5308—Planer Complete as above. Postpaid \$6.98
9B5395—Planer Only, Postpaid \$5.98
(Parts for this machine shown on Page 10)





"DRIVER" BENCH SAW

\$9⁵⁰

Complete as Shown
POSTPAID



Never before has a bench saw incorporating so many worthwhile features, been available at a price even approaching that of the "DRIVER" Ball-bearing Bench Saw. Not only does it deliver the service expected of a saw—ripping and cross-cutting stock up to 1 3/4 inches thick, straight or at various angles—it may also be used with excellent results for sanding, grinding, dadoing, grooving and rabbeting.

Has Safety Guard

Two high grade 6" saws are supplied, one for ripping, the other for cross-cutting. Cuts lumber up to 1 3/4". A six inch metal face plate with six extra abrasives, 29" Endless "V" Belt, 2 1/2" pulley, safety guard and splitter, ripping fence and graduated mitre gauge are also included.

The table measures 8 3/4" x 13 1/2" providing ample room for all ordinary work. Height over all 6 1/2" in. For sanding, grinding or dadoing the table strips on either side of the saw are removed to permit the wider attachments.

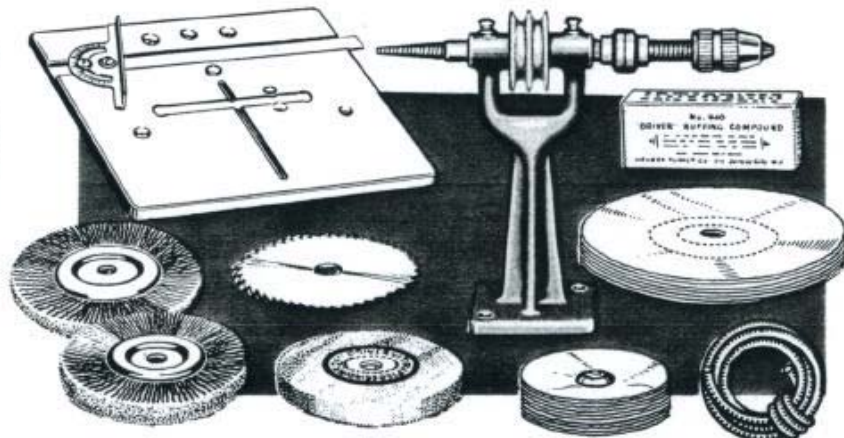
The bottom of the sub-base fits rails on the base and is held in place by a single bolt thus assuring instant belt adjustment. Operating speed about 3500 R.P.M. obtained with pulleys supplied.

9B5312—Bench Saw complete as described above, *Postpaid* \$9.50
9B6613—Bench Saw only with one 6" Circular Saw Blade, *Postpaid*.. \$7.25
(Parts for this machine shown on Page 11)

"DRIVER" POLISHING HEAD SET

\$4⁶⁵

Complete
POSTPAID



The polishing head with its numerous accessories is handy for sharpening tools, removing rust and paint, grinding and polishing metals and drilling. With the 4" circular saw and steel table shown it can be used for sawing wood, as the table is designed to fit over the head where it screws in place.

MAKES PERMANENT SET-UP

The tapered end of the spindle is used for holding lead centered cloth buffers while the half-inch end carries all the other accessories.

When mounted with other "DRIVER" Power Tools the polishing head is usually used as a permanent set up for drilling or grinding enabling the craftsman to "touch-up" a chisel point in a few seconds.

Included in this set are the polishing head, height over all 6 in., with spindle, pulley and

nuts, 1/4" Drill Chuck, 4" x 1/2" Vitrified Grinding Wheel, 4" Coarse and Fine Wire Wheels, 4" Circular Saw, 8" x 8" Saw Table, 5 ft. leather belt, 3" and 6" Cloth Buffers and cake of buffing compound. *Postpaid*.

9B5859—Complete Polishing Set.....\$4.65

Items Below Postpaid with Orders of \$2.00 or more. See Page 1.

9B5871—Polishing Head only, Wt., 2 1/2 lbs .95

9B5883—4" Saw only, Wt., 8 oz.70

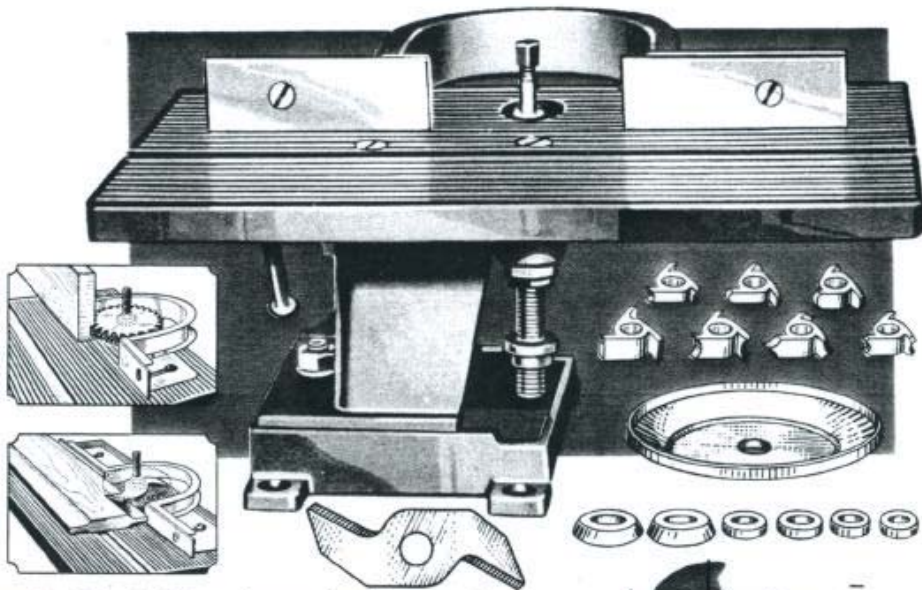
9B5885—Saw Table only, Wt., 2 lbs.75



"DRIVER" SPINDLE SHAPER

\$9⁹⁵

Complete
Postpaid



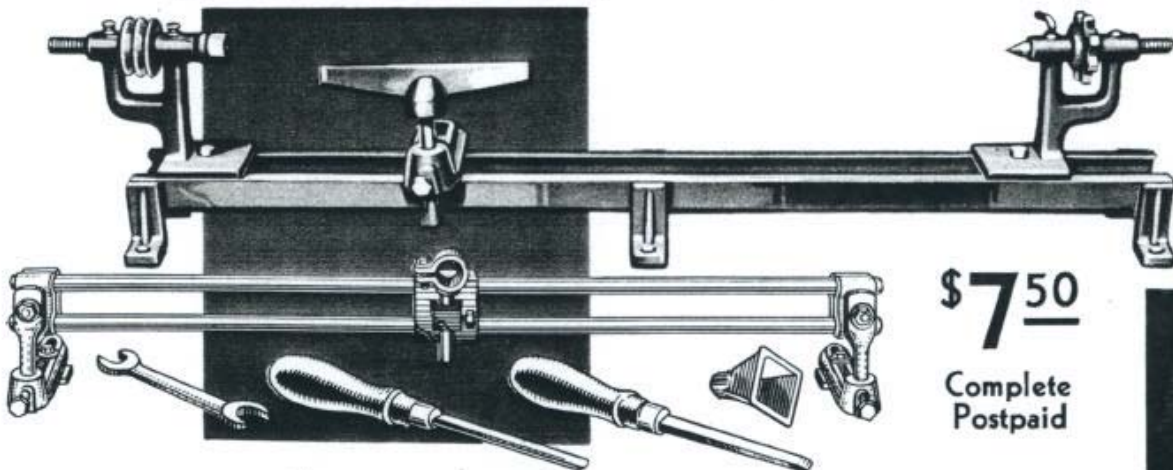
The "DRIVER" Shaper is of the ball-bearing vertical type and is used for making mouldings, putting fancy edges on table tops and cutting attractive moulding designs on picture frames. With the correct attachments it may also be used for sanding, dadoing and panel raising.

Work Always in Sight

An outstanding advantage of the vertical Spindle Shaper over those of other types is that it is possible to watch the progress of the wood as it is being fed. The same feature applies to all operations whether shaping, sanding or dadoing. The set of seven cutters supplied, used in various positions and combinations provide at least forty or fifty different designs. Part of these are made possible by the unique head assembly which may be lowered, raised or tilted to vary the cut.

A set of depth washers and guide collars restrict the depth of cut according to the needs. This machine is unusually well guarded and has a remarkably efficient system of guides. A set of larger shaping cutters, shown on page 16 under the Drill Press may be used on the shaper. This is a high speed machine and should turn at about 8000 to 10,000 R.P.M. This speed is obtained by using an 9B6644 pulley on a countershaft which is turning at 3500 R.P.M. Height over all, 6½ in. Table about 9x14 in.

9B5325—Shaper complete with 7 Fluting and Cove Cutters, Depth Collars and Panel Knife. *Postpaid*.....\$9.95
(Parts for this machine shown on Page 10)



\$7⁵⁰

Complete
Postpaid

"DRIVER" LATHE

From its first appearance this remarkable machine has been received with great enthusiasm by men and boys alike and its popularity is steadily increasing! Simplicity of design, ease of operation and low price all have their attraction, but after all it is the proven ability of this machine to perform in a manner comparable to that of lathes selling at many times its cost which is earning it thousands of new friends every year.

The lathe base is of channel iron with a center support for rigidity. Head and tail stocks are movable along bed. A 6" tool rest and a 24" combination tool rest are both supplied. The standard

wood turning dog may be replaced with the cup center for turning pieces of small diameter. Length of bed is 30". 6½-in. Swing. An extra section of bed may be added to double the turning capacity. A ball thrust bearing carries the end thrust of head stock spindle. Skew and gouge chisels and wrench also supplied. Ordinary turning speed 1750 R.P.M. obtained by using pulley 9B5324 on countershaft.

99B5068—Lathe complete as described above. *Postpaid*.....\$7.50

99B5057—Lathe only. *Postpaid*.....\$3.90

(Parts for this machine shown on Page 10)





"DRIVER" JIG SAW

\$5⁶⁵

Complete
Postpaid

New uses for the power jig saw are constantly developing. These, added to the innumerable established uses for this creative machine, make it indispensable to the home craftsman and others interested in making attractive novelties. Colorful lawn ornaments, weather vanes, book ends, door stops, silhouettes for interior decoration, as well as dozens of other items of general interest are easily cut out with the jig saw.

SAFETY IS A FEATURE

The "DRIVER" Jig Saw is absolutely safe to use, well balanced, accurate and free from vibration. The table tilts to 45 degrees accommodating a wide variety of work. The arms are of wood encased in steel, a feature which combines the strength of steel with the flexibility of wood. Driving mechanism is mounted independent of table. A turnbuckle provides adjustment for tension of saw blade. A set of fret saw adapters is provided for holding the small fret saws used in delicate scroll work. The larger pin type blades are held by the standard clips. Size of table, 8x8 in.; throat, 14 in.; sawing capacity, wood, 1 3/4 in. Height over all, 11 in.

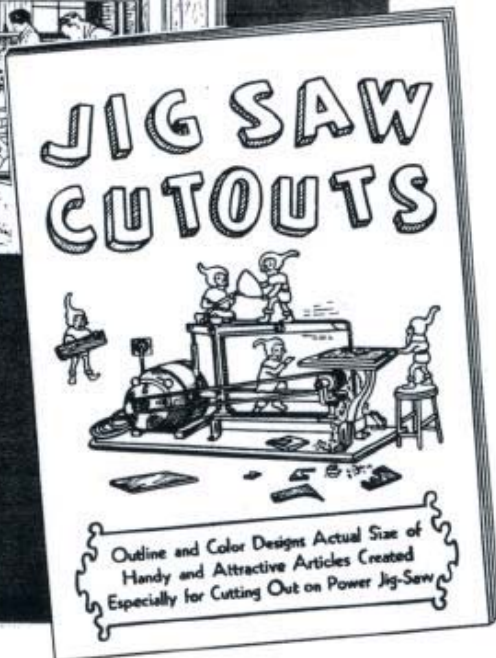
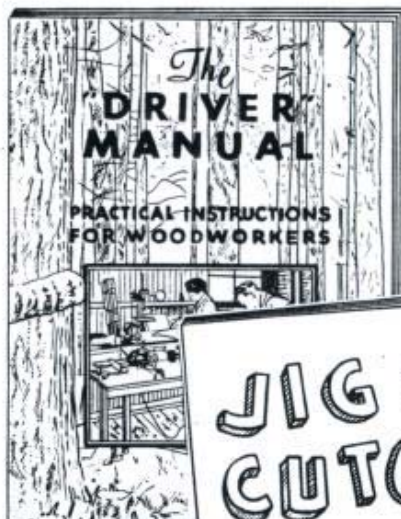
Best operating speed for the Jig Saw is from about 450 to 500 R.P.M., obtained by using the 9B6573 pulley on counter shaft or motor.

9B5351—Jig Saw Complete as illustrated with 9 assorted blades, practical manual, fret saw adapters and pulley.

Postpaid.....\$5.65

9B6567—Jig Saw only. Postpaid.....\$4.50

(Parts for this machine shown on Page 10)



"DRIVER" MANUAL

The "DRIVER" Manual contains 48 pages of detailed information every operator should know. Pages on selection of woods, what joints to use, woodturning, jig-sawing, moulding, carving, finishing, etc. Ten large working drawings of articles to make with photographs and descriptions, also group of smaller projects—all designed by W. W. Klenke, nationally known Manual Training Instructor, author of numerous books on woodworking.

Postpaid with \$2.00 Order. See page 1.

9B5369—"DRIVER" Woodworking Manual. Shpg. wt., 4 oz.....\$.25

JIG SAW CUTOUTS

Contains many ideas on jig-sawing with actual size, easy-to-follow designs of novelties, toys, book ends, jewel chest, ship model, etc. Most designs in four colors enabling you to transfer direct to wood or trace.

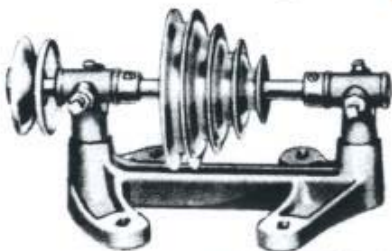
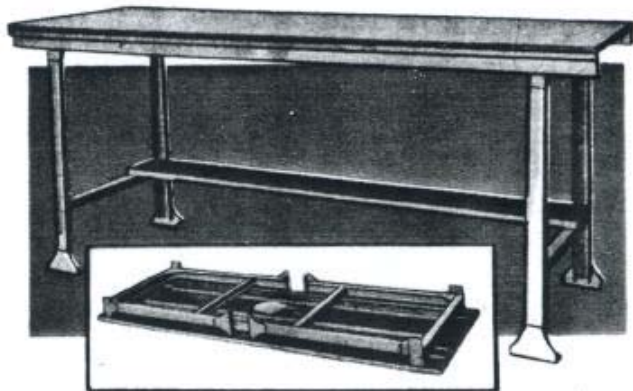
Ship model drawings and description by Capt. E. A. McCann, recognized ship model expert and author of popular magazine articles on ship model making.

Postpaid with \$2.00 Order. See page 1.

9B6569—Book of Cutouts. Shpg. wt., 4 oz.....\$.25

"DRIVER" Workbench

For those who want a sturdily built work bench for mounting the "DRIVER" Workshop power tools, this unit will meet all your requirements. It is also a handy bench for many other uses—in garages, or for factory assembly. Made with heavy steel legs, well braced and electrically welded. Heavy 1 in., 5 ply laminated wood top. Height, 32 in. Length, 6 ft. Width, 2 ft. (Not assembled.) Shpg. wt., 75 lbs. Shipped freight or express. 99BM5421 Not Prepaid\$9.75



Extra 4-in. Pulley

JACK-SHAFT STAND

For use with 99BM518 Lathe, Page 14. Also can be used with "DRIVER" Bench Saw, Planer or Drill Press when desired to run these tools over line shaft. This assembly provides a handy jack shaft set up for increasing or reducing speeds. It is especially useful for increasing the drill press speed for routing and shaping operations. The bolt holes in the base are placed identically with those of the motor so that they may be interchanged if desired. Complete with extra 4-in. 4 step "V" type pulley, giving a range of 4 speeds.

99B516—Complete as shown. Postpaid\$3.50
9B6650—4 step Pulley. Wt., 1 lb.50
Postpaid with orders of \$2.00 or more. See Page 1.



Lubricate your machines regularly. Made especially for these tools and can be used in all bearings. Reduces friction, makes machines run smooth and quiet, and lasts much longer than oil or grease. Postpaid with orders of \$2.00 or more. See page 1.

9B6598—Shpg. wt., 4 oz. large tube25c



Arbor and Chuck

Three-jaw chucks, 1/2-in. capacity. Fits 1/2-in. shaft, for drilling, grinding, buffing and other work. Suitable for use with "DRIVER" workshop.

9B5775—Shpg. wt., 1 lb.98c

"DRIVER" Cement for attaching sanding discs. Cements rubber, metal or wood.

9B5316—Wt., 8 oz.39c



"DRIVER" Drill Selector

Eight highest quality carbon drills in a unique container that enables you quickly to select any size you require. Drill sizes (straight shank) 1-16", 3-32", 1/8", 5-32", 3-16", 1/4", 5-16", 3/8". Postpaid with \$2.00 orders. See page 1.

9B5455—Shpg. wt., 1/4 lb.\$1.00



New Wood-Turning Dog for Lathes

Attaches to the large (1/2") end of the head stock spindle. Pointed tapered center is removable and can be replaced with a wood screw center for holding very small work. Two spurs hold the work stationary with the dog and can be used in either of two sets of holes for various sizes of work. Size face 2 in.

9B6558—Wt., 5 oz., Postpaid with \$2.00 order75c



98c "DRIVER" Combination Vise

This sturdy vise has hardened steel pipe jaws for holding pipe, rods and other round objects. They can be removed instantly permitting the vise to be used for ordinary work. The 2 1/2" jaws are carefully machined after assembly to insure a perfect fit. Open 2 1/2 inches.

9B5565—Shpg. wt., 4 1/2 lbs\$.98

We pay the postage on orders of \$2.00 or more.

See page 1.



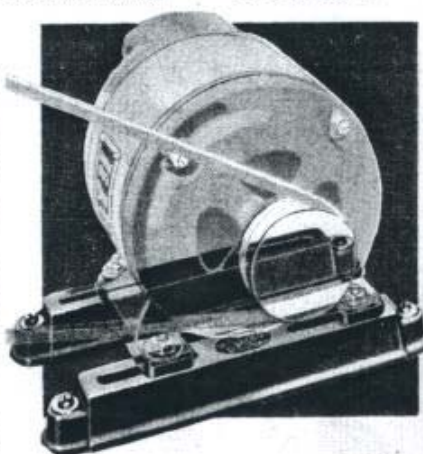
"DRIVER" Flexible Shaft New Ball Bearing Model

Stronger proportionately than any other type on the market. Has many uses with attachments, such as drilling, grinding and polishing. Includes 5-16 in. three jaw chuck, chuck adapter and motor coupling. Can be attached to any electric motor with 1/2 in. shaft. Length over all, 36 in. Two or more can be coupled together for longer lengths. See pages 11 and 19 for accessories. 9B5315—Postpaid\$3.70

Motor Adjusting Rails

This new "DRIVER" development permits greater movement of motor for belt adjustment. Every make of motor will fit these cast iron rails as they are not attached together and may be located at any required distance apart. Ordinary wood screws inserted at the end of each rail hold it securely to bench. Four special square-head bolts, for securing motor, included. Postpaid with \$2.00 orders. See page 1.

9B6697—Set Motor Adjusting Rails. Shpg. wt., 2 lbs.75c





THE SHOP ON THE JOB

Any mechanic who has used "DRIVER" Power Tools in his shop knows full well the handicap of working on the job with ordinary hand tools. If you are one of the many who have experienced this feeling of inefficiency when away from your power equipment, you will appreciate the suggestion offered in the above illustration. Enthusiastic tradesmen everywhere are fast adopting this "shop on the job" idea, not only because of the time and labor it saves but

because it assures quality workmanship, customer satisfaction and repeat business.

No matter how exacting you are in the selection of power tools, "DRIVER" tools will fill all of your requirements. They are mechanically correct, skillfully designed, and capable of rendering efficient service on daily production work. Manufactured of the finest materials and carefully tested at the factory, you are assured of a perfect machine.

Now that Heavy Duty "DRIVER" Tools are available, the "shop on the job" idea becomes all the more advantageous because of the additional jobs these heavy duty tools are capable of performing. When you read the following pages and learn the many uses of each tool, just stop and consider how profitable they could be to you on your next job.

The "DRIVER" Power Tool Assembly is readily portable . . . a complete and compact working unit . . . small enough for any truck—large enough for most any job.



THE SHOP IN THE HOME

With "DRIVER" Power Tools available at such reasonable prices, there is no real reason why anyone should handicap his creative instinct and inventive skill. The small investment required for a home workshop is returned to you manifold, not only because it affords a stimulating, productive occupation that relaxes your mind from the strain of everyday routine, but equally important, it permits making dozens of practical pieces of furniture and bric-a-brac for the home, for the homes of friends, or even for sale.

Or, if you are a model maker or of an inventive turn of mind, your workshop will prove invaluable as a quiet and efficient place to develop your ideas into realities.

As you study the pages of this catalog, think what a world of possibilities—what untold fascination is open to you the moment you decide to own a "DRIVER" home workshop.

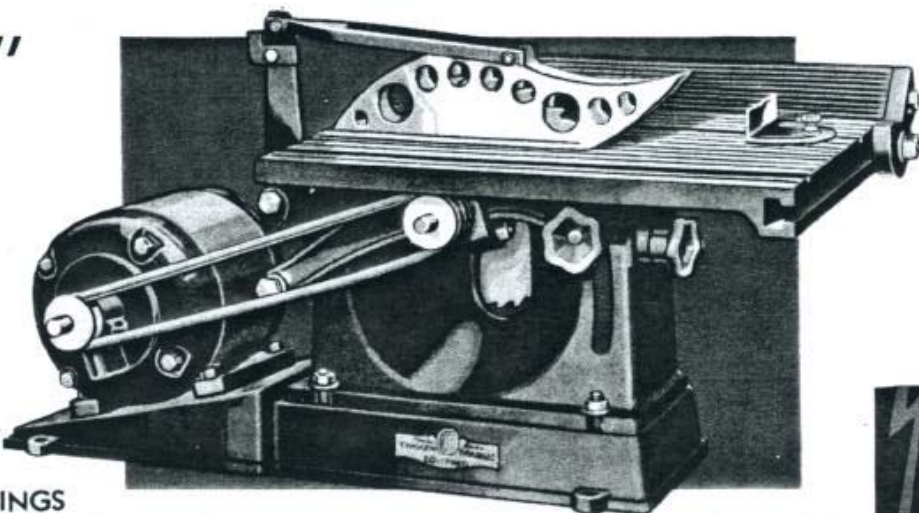
The heavy duty equipment shown on the following pages comes to you as a result of a growing demand from users of the standard lightweight tools for production units . . . units that would stand up indefinitely under the strain of professional use. Once you see their simple but rugged construction, their efficiency and all-round worthiness, you will agree that this demand has been admirably fulfilled—you will want and need the help of these better tools in your own shop.

HEAVY DUTY "DRIVER" BENCH SAW

CASH PRICE

\$42⁵⁰

Complete with Motor



TIMKEN BEARINGS

A new heavy duty fast-cutting saw for the carpenter, contractor or home craftsman. Substantially built for daily production work.

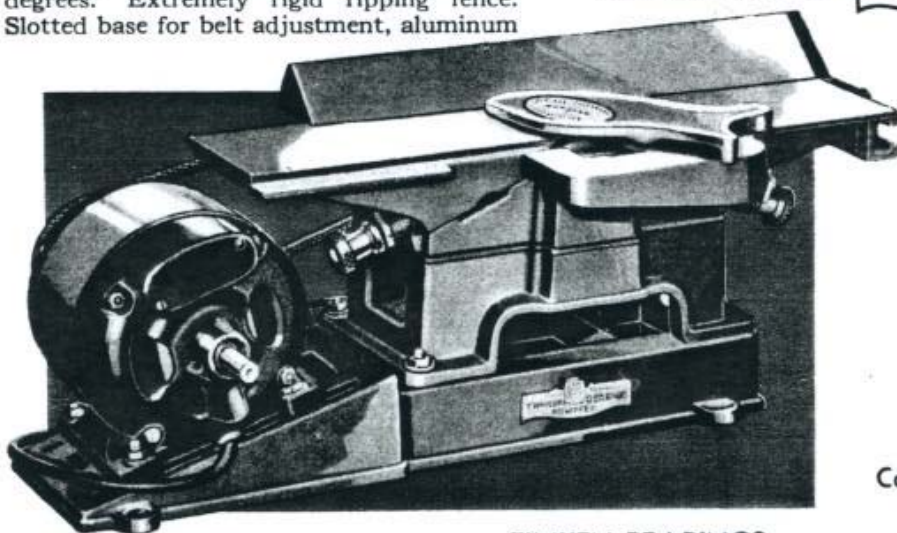
EXCELLENT PORTABLE OUTFIT

Many months of intensive study and experimental work are behind this saw. As presented it has several unique features, yet it is strikingly simple and rugged, makes an excellent portable outfit. Equipped with high grade 8" saw which instantly raises or lowers without the use of a wrench or other tool. **TIMKEN TAPERED ROLLER BEARINGS** insure efficient, frictionless performance over a long period of years. Rips and crosscuts up to 2 1/4" stock. Table 17"x13 3/4", tilts easily and quickly to 45 degrees. Extremely rigid ripping fence. Slotted base for belt adjustment, aluminum

guard and splitter, graduated mitre gauge and many other features guarantee you uninterrupted, dependable service. *Shipped Freight or Express, Not Prepaid.*

99BM5993—With 1/2-H.P. motor, 3600 R.P.M., 110-120 Volts, 60 cycle, A.C. Shpg. wt., 100 lbs. Cash Price.....\$42.50
Time Payment Price, \$9.50 down and \$6.50 a month\$46.75

99BM5994 — Outfit without motor, Shpg. wt., 75 lbs., Cash only.....\$29.50



TIMKEN BEARINGS

No expense has been spared to make this 4" planer the outstanding leader in its class. Everything in design, in material, and in workmanship that would contribute toward this end is incorporated in it.

Both tables are instantly adjustable, the rear one providing a ledge for rabbeting. Extremely rigid tilting fence is adjustable to 45 degrees in either direction. Approved safety type cutter head carrying three high speed steel knives, with 3/8" shaft turns on two rows of **TIMKEN TAPERED ROLLER BEARINGS**. These bearings require lubrication only once or twice a year. *When ordering on Easy Payments use Time Payment Side of Blank enclosed with this book*

proved safety guard covers knives receding as work is fed so that they are covered at all times. Length of table overall, 19". Height, 8 3/4". Heavy duty 1/2-H.P. motor, 110 volt, 60 cycle, A.C., 1750 R.P.M. with double end shaft, plug and cord. *Shipped Freight or Express, Not Prepaid.*

99BM514—Complete.
Shpg. wt., 100 lbs. Cash Price.....\$35.00

Time Payment Price, \$8.00 down and \$6.00 a month.....\$38.50

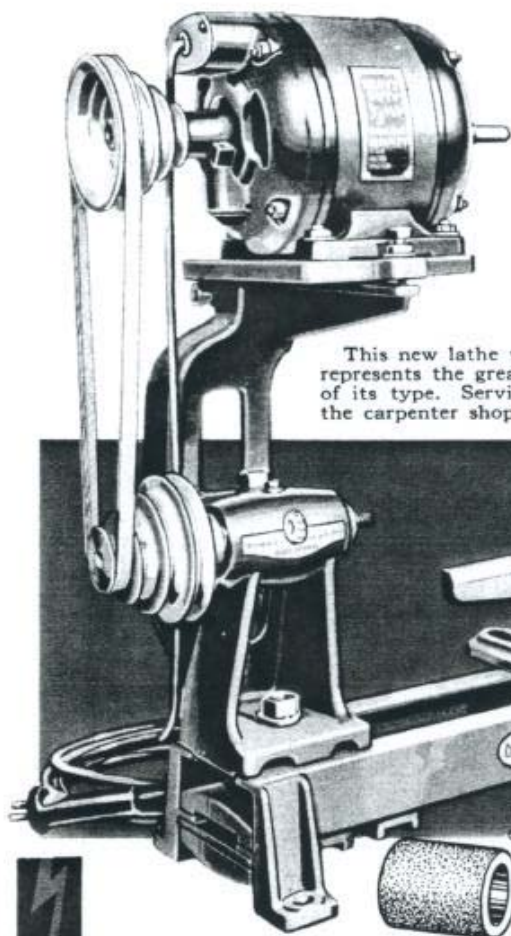
99BM515—Without motor,
Shpg. wt., 75 lbs. Cash Only.....\$24.00

HEAVY DUTY "DRIVER" PLANER

CASH PRICE

\$35⁰⁰

Complete with Motor



New
HEAVY DUTY
"DRIVER"
LATHE

\$39⁵⁰
CASH
Complete With
Motor and Tools

This new lathe with Genuine *TIMKEN BEARINGS* represents the greatest value ever offered in a machine of its type. Serviceable for daily production work in the carpenter shop or home workshop.



An unusual feature is the combination driving dog and small face plate. Two spurs are fitted in holes in the 2" face plate. These spurs may be used in the two holes near the center for small turnings or two other holes near the outer edge for larger work. The hardened steel center is removable and may be replaced with a wood screw center for very small turnings. Motor bracket attaches to lathe bed and provides very convenient set up. Lathe, however, may be driven from above, behind or below.

SPECIFICATIONS

Heavy channel iron bed, 42" long, 4 1/4" wide, 2 1/2" deep. (Extra section may be added to bring length to 7 ft.) Distance from center of headstock to bed 6", taking stock up to 12" diameter. 4-step cone pulleys provide four speed changes without altering belt adjustment. Speeds approximately 700,

1350, 2200 and 4000 R.P.M. Fabric and rubber endless "V" Belt. Two tool rests, 12" and 6" supplied. Double row *TIMKEN* Tapered Roller Bearings in head require lubrication only once or twice a year. Adapter for holding 1/2" drill chuck, sanding drum and grinding wheel attaches to head spindle. Turning chisels are high quality crucible steel. Tailstock spindle, 5/8" diameter, has position lock. Heavy Duty 1/2 H.P. Motor. 1750 R.P.M. A.C. 110-Volt, 60 Cycle. Shipping weight, 80 lbs. *Shipped freight or express, not prepaid.*

99BM517—Complete as shown.....\$39.50
Time Payment price, \$9.00 down and \$5.00 a month.....\$43.45
99BM518. As above, without motor or motor bracket. Shipping weight, 50 lbs. Cash only \$24.50
When ordering on easy payments, use time payment side of order blank enclosed.

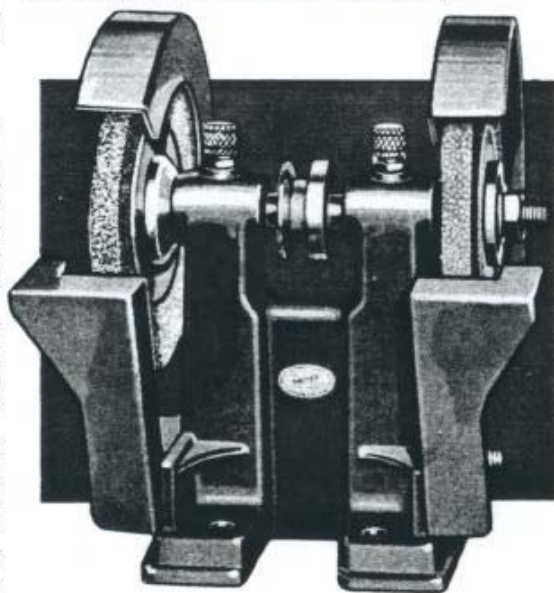
New HEAVY DUTY
"DRIVER"
BENCH
GRINDER
ONLY
\$4⁹⁵
POST-PAID

This new "DRIVER" Tool will be welcomed by many who need a heavy combination polishing head and bench grinder. It is built for regular production work yet priced so amazingly low that every home craftsman will want one.

Bearings are bronze bushed, with a 3/8" diameter shaft turned down to 1/2" at the ends to take all standard "DRIVER" accessories. Grease cups supply positive lubrication. Adjustable tool rests and guards are ingeniously arranged so that they work effectively with both 4" and 6" wheels.

This polishing head is so designed that it can be driven from below, behind or above, with a "V" round or flat belt by changing pulleys. Sufficient clearance is left between bearings to accommodate a flat belt pulley. A 1 3/4" diameter "V" pulley is furnished as regular equipment.

9B6696—Complete as shown with one 6 in. Coarse grinding wheel and one 6 in. Fine grinding wheel. *Postpaid*.....\$4.95



New "DRIVER" BAND SAW

\$19⁵⁰ Complete with
Saw blade
and guards as
shown

For many months there has been an insistent demand for a Band Saw—made by "DRIVER." Our friends here literally swamped us with requests and suggestions along this line. Although "DRIVER" engineers are always appreciative of their fellow-craftsmen's desires they could not be hurried into getting this machine out quickly. It was too important a job. There were hazards to overcome, improvements to make, many designs to try out and discard.

Here are a few of its many features—12" dia. wheels, rubber faced; 3/4" dia. wheel bearings, bronze bushed; table is 12"x11", tilting to 45 degrees. Distance from saw blade to frame 12"; roller guides for saw (an expensive feature usually found only on very costly machines). Easy positive adjustments for saw tension and wheel alignment. Cuts lumber up to 6" thick. Shipping weight, 95 lbs. *Shipped freight or express, not prepaid.*

99BM549—Complete with 1/4 in. Saw blade and Guards as shown.....\$19.50

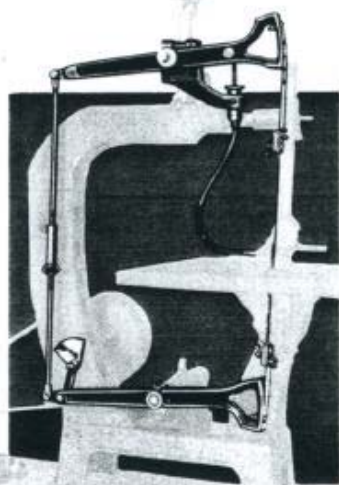
"DRIVER" BAND SAW BLADES

We pay postage on orders of \$2.00 or more. See page 1.

9B6692—3/16-in. Shpg. wt., 2 oz.....\$1.00
9B6703—1/4-in. Shpg. wt., 2 oz..... 1.00
9B6693—3/8-in. Shpg. wt., 2 oz..... 1.00

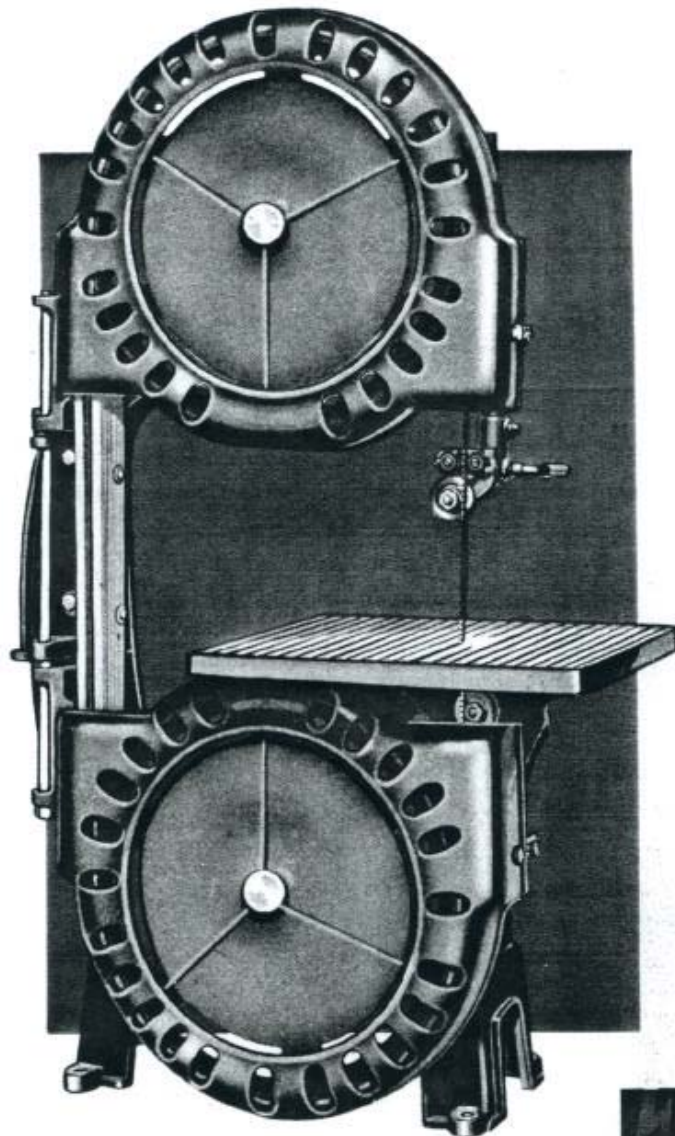
\$4⁹⁵

Postpaid
Parts for
Converting
Band Saw
into Jig Saw,
as Shown.



New Idea Jig Saw Attachment For Band Saw!

Converting a band saw, in a few minutes, into a "super" jig saw may be a bit unusual, but it is entirely practical. In fact a few inexpensive parts will give you an entirely new idea as to what a jig saw can do. The massive frame, base and table lend great rigidity while the same roller guides that are used with the band saw assure



an absolutely true-running blade. Two metal arms take the place of the wheels, guards are removed, and a drag link assembly is slid into place in the frame. The upper guide assembly in position directly over the work acts as an excellent "hold down" arm preventing the saw from lifting the work off the table on the up stroke.

A novel feature is the positive blower attachment. This is a pump composed of a piston and cylinder with a rubber tube connected to a hole in the saw guide. When the saw is in motion a stream of air keeps the sawdust from obscuring the lines, and incidentally cools the saw blade, greatly prolonging its life. The flexible rubber tubing provides positive pressure at any position of the guide assembly. *Postpaid.*

9B6695—Complete set of parts for converting Band Saw into Jig Saw. With 6 ass't. blades. Length 14 in.\$4.95

PARTS FOR BAND SAW

We can supply the following parts for the "DRIVER" band saw: Base, Bearing Stand, Main Shaft with Key and Nut, Table Bracket, Table, Upper and Lower Saw Guide Assembly, Upper Frame Extension, Bearing Guide Bracket, Alignment Assembly and Frame Section, Lower Frame Section, Saw Wheels with Rubber Facing, Upper and Lower Saw Guard, Hinge Assembly for Guards, and 6 1/2-inch V Pulley. All are of high quality materials, guaranteed to fit and give long service. *Write for Prices, Mentioning Part Interested In.*



"DRIVER" DRILL PRESS

6 TOOLS IN ONE \$11⁹⁵
 Less Motor
 With "Driver" Chuck as Shown

Compared with other makes, you save up to one half!

Drill Press Complete with Motor and Jacobs Chuck Sold on Easy Payments

\$7.00
 DOWN

Balance Monthly

The "DRIVER" Drill Press, always noted for its compactness and all-around efficiency, now incorporates features that make it the most complete machine tool of its kind!

Compare this machine with others selling at three or four times the price. You will find it equal, if not superior, in capacity, in ease of operation, in character of output and in durability. Why, then, pay more?

Now you can perform operations not usually possible in the home workshop, much less available in one machine—Inlaying, Carving, Shaping, Mortising, Tenoning, Dovetail Cutting. Its extremely varied uses and unusual performance more than justify the investment that thousands are making in this machine.

Handles More Jobs

DRILLING
 This drill is built for heavy continuous drilling up to and including $\frac{3}{8}$ " holes. A series of holes of equal depth can be rapidly drilled. A series of holes of equal depth can be rapidly drilled. A series of holes of equal depth can be rapidly drilled. A series of holes of equal depth can be rapidly drilled.

MORTISING
 Router bits in 5 sizes are available. Work to be mortised is held between 2 guides, the spindle lowered to cut about $\frac{3}{4}$ " locked there and work moved until desired length is obtained. Repeating the cut, $\frac{3}{8}$ " at a time, quickly dovetailing.

DOVETAIL JOINTS which are often desirable because of their strength and permanency have been very difficult to make without expensive production machinery. Three sizes of dovetail cutters are available.

SHAPING
 Cutting of various mouldings, decorative edges on table tops, etc., is made possible on this machine. The "DRIVER" Drill Press does this work efficiently. A wood platform, larger than the drill press table is made and placed over table to hold guide. Four cutters providing about 25 or 30 different cuts are available.

INLAYING
 With a few hours' experience you can do work which has hitherto been done only by skilled artisans working with hand tools. Spindle is locked at correct depth and work moved about until recess is completed.

TENONING
 A saw cut, of equal depth to what the width of the tenon will be, is made across the end of the work. Then, with a router bit of the material between the saw cut and the end of work is easily removed, to uniform thickness.

Mechanically Correct

For the home craftsman who takes pride in a good job well done—the skilled mechanic who requires a high degree of accuracy—or the small factory or pattern shop who needs a volume production in machine tools, the "DRIVER" Drill Press meets all requirements. Its wide range of uses (more than on any similar machine), its faultless construction insures extreme durability and its correct design assures efficient output. It is unique in its ability to handle jobs not heretofore possible in a machine of this type, and, when you realize that it compares only with the most expensive machines, you will appreciate its value as an investment!

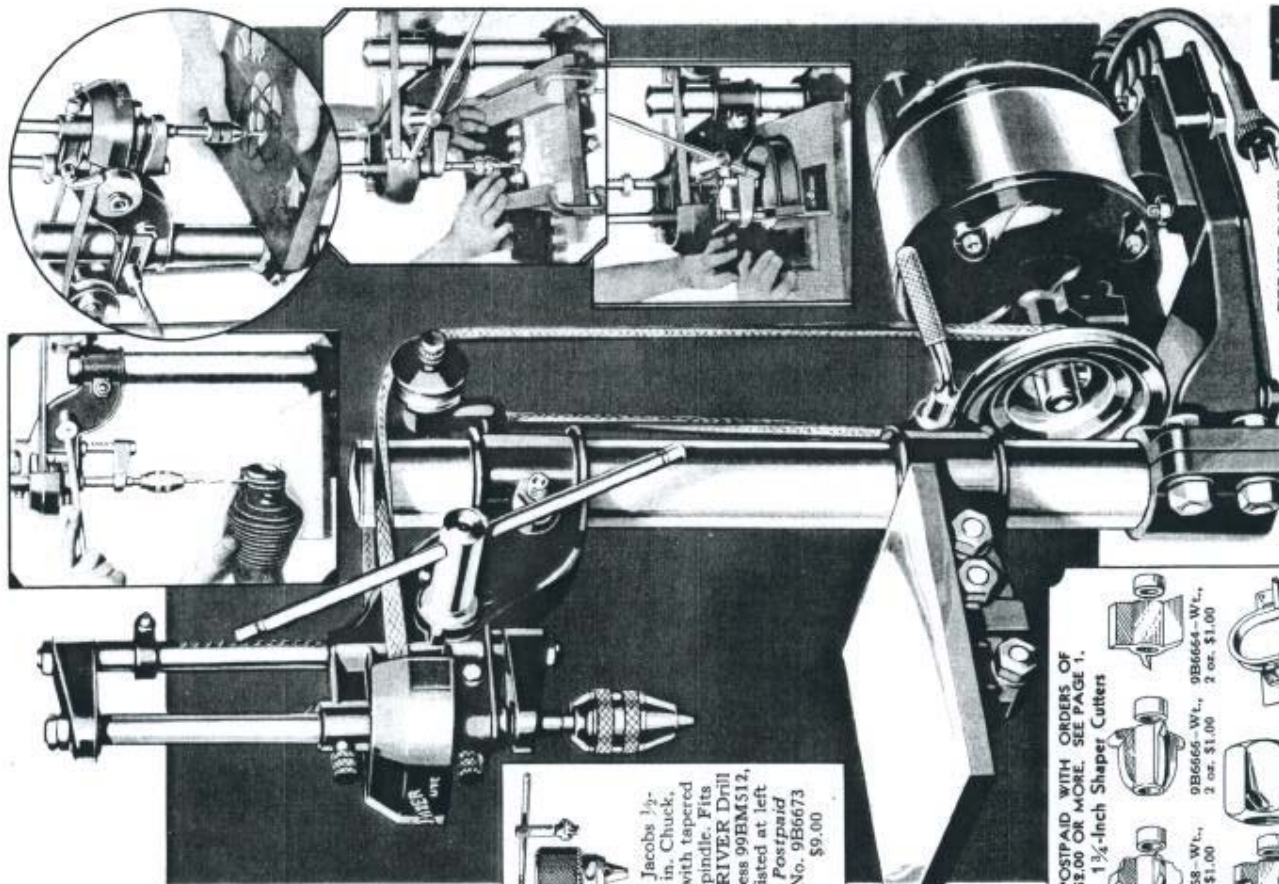
Range of speed, from 750 to 4000 R.P.M. Spindle, $\frac{1}{2}$ ". Rear spindle graduated for depth. Table and head both movable up and down steel column. Feed rack can be locked at any position. $\frac{1}{2}$ " "DRIVER" chuck takes straight shank drills, $\frac{1}{8}$ " to $\frac{3}{8}$ " table tilts two ways. 8 $\frac{1}{2}$ " height belt. Hinged bearings are self-aligning. Head and spindle will hold shipped freight or express. Not Prepaid. Shipping weight, 70 lbs. Accessories listed below.

99BM512—Drill Press only, without motor, \$31.95
 99BM513—With $\frac{1}{2}$ H.P. double shaft motor for 110-120 volt A.C., 60-cycle. \$24.00
 Shipping weight, 92 lbs. \$24.00

99BM503—With $\frac{1}{2}$ H.P. motor and genuine Jacobs $\frac{1}{2}$ " chuck. Shipping weight, 92 lbs. \$31.50
 C.A. Price, \$31.50

When ordering on Easy Payments, use Time Payment side of Order Blank Enclosed With This Catalog.

Jacobs $\frac{1}{2}$ " in. Chuck, with tapered spindle, Fits DRIVER Drill Press 99BM512, listed at left Postpaid No. 9B6673 \$9.00



REPAIR PARTS
 We can supply the following parts for the "DRIVER" Drill Press: Head Bracket, Base, Table Bracket, Table Idler Complete, Belt Guard, Spindle Drive Pulley, Feed Rack with Lower Bracket, Feed Pinion with Return Spring, Spindle with Ball Thrust and Upper Bracket and Steel Column. These parts, snipped from factory in New Jersey. Write for prices, mentioning part wanted.

ACCESSORIES FOR "DRIVER" DRILL PRESS
 Dovetail Routers for Inlaying

9B6653—Wt., 1 oz. \$0.80	9B6658—Wt., 1 oz. \$0.50	9B6665—Wt., 2 oz. \$1.00	9B6670—1 $\frac{1}{2}$ " Cutter
9B6654—Wt., 1 oz. \$0.50	9B6659—Wt., 1 oz. \$0.50	9B6666—Wt., 2 oz. \$1.00	9B6671—1 $\frac{1}{2}$ " Cutter
9B6655—Wt., 1 oz. \$0.50	9B6660—Wt., 1 oz. \$0.50	9B6667—Wt., 2 oz. \$1.00	9B6672—1 $\frac{1}{2}$ " Cutter
9B6656—Wt., 1 oz. \$0.75	9B6661—Wt., 1 oz. \$0.50	9B6668—Wt., 2 oz. \$1.00	9B6673—1 $\frac{1}{2}$ " Cutter
9B6657—Wt., 1 oz. \$0.75	9B6662—Wt., 1 oz. \$0.50	9B6669—Wt., 2 oz. \$1.00	9B6674—1 $\frac{1}{2}$ " Cutter

9B6455—Driver Drill Set, Wt. $\frac{1}{2}$ lb. \$1.00

9B6663—Adapter for small cutters. Wt. 5 oz. \$0.25

9B6664—Wt. 2 lbs. \$1.00

9B6665—Wt. 2 oz. \$1.00

9B6666—Wt. 2 oz. \$1.00

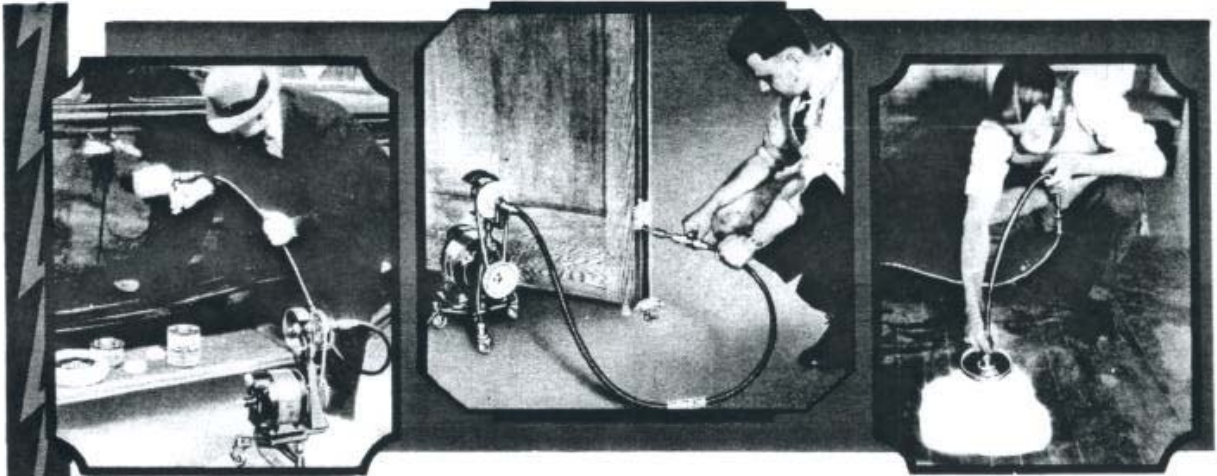
9B6667—Wt. 2 oz. \$1.00

9B6668—Wt. 2 oz. \$1.00

9B6669—Wt. 2 oz. \$1.00

9B6670—1 $\frac{1}{2}$ " Cutter, 9B6671—1 $\frac{1}{2}$ " Cutter, 9B6672—1 $\frac{1}{2}$ " Cutter, 9B6673—1 $\frac{1}{2}$ " Cutter, 9B6674—1 $\frac{1}{2}$ " Cutter, 9B6675—1 $\frac{1}{2}$ " Cutter, 9B6676—1 $\frac{1}{2}$ " Cutter, 9B6677—1 $\frac{1}{2}$ " Cutter, 9B6678—1 $\frac{1}{2}$ " Cutter, 9B6679—1 $\frac{1}{2}$ " Cutter, 9B6680—1 $\frac{1}{2}$ " Cutter, 9B6681—1 $\frac{1}{2}$ " Cutter, 9B6682—1 $\frac{1}{2}$ " Cutter, 9B6683—1 $\frac{1}{2}$ " Cutter, 9B6684—1 $\frac{1}{2}$ " Cutter, 9B6685—1 $\frac{1}{2}$ " Cutter, 9B6686—1 $\frac{1}{2}$ " Cutter, 9B6687—1 $\frac{1}{2}$ " Cutter, 9B6688—1 $\frac{1}{2}$ " Cutter, 9B6689—1 $\frac{1}{2}$ " Cutter, 9B6690—1 $\frac{1}{2}$ " Cutter, 9B6691—1 $\frac{1}{2}$ " Cutter, 9B6692—1 $\frac{1}{2}$ " Cutter, 9B6693—1 $\frac{1}{2}$ " Cutter, 9B6694—1 $\frac{1}{2}$ " Cutter, 9B6695—1 $\frac{1}{2}$ " Cutter, 9B6696—1 $\frac{1}{2}$ " Cutter, 9B6697—1 $\frac{1}{2}$ " Cutter, 9B6698—1 $\frac{1}{2}$ " Cutter, 9B6699—1 $\frac{1}{2}$ " Cutter, 9B6700—1 $\frac{1}{2}$ " Cutter, 9B6701—1 $\frac{1}{2}$ " Cutter, 9B6702—1 $\frac{1}{2}$ " Cutter, 9B6703—1 $\frac{1}{2}$ " Cutter, 9B6704—1 $\frac{1}{2}$ " Cutter, 9B6705—1 $\frac{1}{2}$ " Cutter, 9B6706—1 $\frac{1}{2}$ " Cutter, 9B6707—1 $\frac{1}{2}$ " Cutter, 9B6708—1 $\frac{1}{2}$ " Cutter, 9B6709—1 $\frac{1}{2}$ " Cutter, 9B6710—1 $\frac{1}{2}$ " Cutter, 9B6711—1 $\frac{1}{2}$ " Cutter, 9B6712—1 $\frac{1}{2}$ " Cutter, 9B6713—1 $\frac{1}{2}$ " Cutter, 9B6714—1 $\frac{1}{2}$ " Cutter, 9B6715—1 $\frac{1}{2}$ " Cutter, 9B6716—1 $\frac{1}{2}$ " Cutter, 9B6717—1 $\frac{1}{2}$ " Cutter, 9B6718—1 $\frac{1}{2}$ " Cutter, 9B6719—1 $\frac{1}{2}$ " Cutter, 9B6720—1 $\frac{1}{2}$ " Cutter, 9B6721—1 $\frac{1}{2}$ " Cutter, 9B6722—1 $\frac{1}{2}$ " Cutter, 9B6723—1 $\frac{1}{2}$ " Cutter, 9B6724—1 $\frac{1}{2}$ " Cutter, 9B6725—1 $\frac{1}{2}$ " Cutter, 9B6726—1 $\frac{1}{2}$ " Cutter, 9B6727—1 $\frac{1}{2}$ " Cutter, 9B6728—1 $\frac{1}{2}$ " Cutter, 9B6729—1 $\frac{1}{2}$ " Cutter, 9B6730—1 $\frac{1}{2}$ " Cutter, 9B6731—1 $\frac{1}{2}$ " Cutter, 9B6732—1 $\frac{1}{2}$ " Cutter, 9B6733—1 $\frac{1}{2}$ " Cutter, 9B6734—1 $\frac{1}{2}$ " Cutter, 9B6735—1 $\frac{1}{2}$ " Cutter, 9B6736—1 $\frac{1}{2}$ " Cutter, 9B6737—1 $\frac{1}{2}$ " Cutter, 9B6738—1 $\frac{1}{2}$ " Cutter, 9B6739—1 $\frac{1}{2}$ " Cutter, 9B6740—1 $\frac{1}{2}$ " Cutter, 9B6741—1 $\frac{1}{2}$ " Cutter, 9B6742—1 $\frac{1}{2}$ " Cutter, 9B6743—1 $\frac{1}{2}$ " Cutter, 9B6744—1 $\frac{1}{2}$ " Cutter, 9B6745—1 $\frac{1}{2}$ " Cutter, 9B6746—1 $\frac{1}{2}$ " Cutter, 9B6747—1 $\frac{1}{2}$ " Cutter, 9B6748—1 $\frac{1}{2}$ " Cutter, 9B6749—1 $\frac{1}{2}$ " Cutter, 9B6750—1 $\frac{1}{2}$ " Cutter, 9B6751—1 $\frac{1}{2}$ " Cutter, 9B6752—1 $\frac{1}{2}$ " Cutter, 9B6753—1 $\frac{1}{2}$ " Cutter, 9B6754—1 $\frac{1}{2}$ " Cutter, 9B6755—1 $\frac{1}{2}$ " Cutter, 9B6756—1 $\frac{1}{2}$ " Cutter, 9B6757—1 $\frac{1}{2}$ " Cutter, 9B6758—1 $\frac{1}{2}$ " Cutter, 9B6759—1 $\frac{1}{2}$ " Cutter, 9B6760—1 $\frac{1}{2}$ " Cutter, 9B6761—1 $\frac{1}{2}$ " Cutter, 9B6762—1 $\frac{1}{2}$ " Cutter, 9B6763—1 $\frac{1}{2}$ " Cutter, 9B6764—1 $\frac{1}{2}$ " Cutter, 9B6765—1 $\frac{1}{2}$ " Cutter, 9B6766—1 $\frac{1}{2}$ " Cutter, 9B6767—1 $\frac{1}{2}$ " Cutter, 9B6768—1 $\frac{1}{2}$ " Cutter, 9B6769—1 $\frac{1}{2}$ " Cutter, 9B6770—1 $\frac{1}{2}$ " Cutter, 9B6771—1 $\frac{1}{2}$ " Cutter, 9B6772—1 $\frac{1}{2}$ " Cutter, 9B6773—1 $\frac{1}{2}$ " Cutter, 9B6774—1 $\frac{1}{2}$ " Cutter, 9B6775—1 $\frac{1}{2}$ " Cutter, 9B6776—1 $\frac{1}{2}$ " Cutter, 9B6777—1 $\frac{1}{2}$ " Cutter, 9B6778—1 $\frac{1}{2}$ " Cutter, 9B6779—1 $\frac{1}{2}$ " Cutter, 9B6780—1 $\frac{1}{2}$ " Cutter, 9B6781—1 $\frac{1}{2}$ " Cutter, 9B6782—1 $\frac{1}{2}$ " Cutter, 9B6783—1 $\frac{1}{2}$ " Cutter, 9B6784—1 $\frac{1}{2}$ " Cutter, 9B6785—1 $\frac{1}{2}$ " Cutter, 9B6786—1 $\frac{1}{2}$ " Cutter, 9B6787—1 $\frac{1}{2}$ " Cutter, 9B6788—1 $\frac{1}{2}$ " Cutter, 9B6789—1 $\frac{1}{2}$ " Cutter, 9B6790—1 $\frac{1}{2}$ " Cutter, 9B6791—1 $\frac{1}{2}$ " Cutter, 9B6792—1 $\frac{1}{2}$ " Cutter, 9B6793—1 $\frac{1}{2}$ " Cutter, 9B6794—1 $\frac{1}{2}$ " Cutter, 9B6795—1 $\frac{1}{2}$ " Cutter, 9B6796—1 $\frac{1}{2}$ " Cutter, 9B6797—1 $\frac{1}{2}$ " Cutter, 9B6798—1 $\frac{1}{2}$ " Cutter, 9B6799—1 $\frac{1}{2}$ " Cutter, 9B6800—1 $\frac{1}{2}$ " Cutter, 9B6801—1 $\frac{1}{2}$ " Cutter, 9B6802—1 $\frac{1}{2}$ " Cutter, 9B6803—1 $\frac{1}{2}$ " Cutter, 9B6804—1 $\frac{1}{2}$ " Cutter, 9B6805—1 $\frac{1}{2}$ " Cutter, 9B6806—1 $\frac{1}{2}$ " Cutter, 9B6807—1 $\frac{1}{2}$ " Cutter, 9B6808—1 $\frac{1}{2}$ " Cutter, 9B6809—1 $\frac{1}{2}$ " Cutter, 9B6810—1 $\frac{1}{2}$ " Cutter, 9B6811—1 $\frac{1}{2}$ " Cutter, 9B6812—1 $\frac{1}{2}$ " Cutter, 9B6813—1 $\frac{1}{2}$ " Cutter, 9B6814—1 $\frac{1}{2}$ " Cutter, 9B6815—1 $\frac{1}{2}$ " Cutter, 9B6816—1 $\frac{1}{2}$ " Cutter, 9B6817—1 $\frac{1}{2}$ " Cutter, 9B6818—1 $\frac{1}{2}$ " Cutter, 9B6819—1 $\frac{1}{2}$ " Cutter, 9B6820—1 $\frac{1}{2}$ " Cutter, 9B6821—1 $\frac{1}{2}$ " Cutter, 9B6822—1 $\frac{1}{2}$ " Cutter, 9B6823—1 $\frac{1}{2}$ " Cutter, 9B6824—1 $\frac{1}{2}$ " Cutter, 9B6825—1 $\frac{1}{2}$ " Cutter, 9B6826—1 $\frac{1}{2}$ " Cutter, 9B6827—1 $\frac{1}{2}$ " Cutter, 9B6828—1 $\frac{1}{2}$ " Cutter, 9B6829—1 $\frac{1}{2}$ " Cutter, 9B6830—1 $\frac{1}{2}$ " Cutter, 9B6831—1 $\frac{1}{2}$ " Cutter, 9B6832—1 $\frac{1}{2}$ " Cutter, 9B6833—1 $\frac{1}{2}$ " Cutter, 9B6834—1 $\frac{1}{2}$ " Cutter, 9B6835—1 $\frac{1}{2}$ " Cutter, 9B6836—1 $\frac{1}{2}$ " Cutter, 9B6837—1 $\frac{1}{2}$ " Cutter, 9B6838—1 $\frac{1}{2}$ " Cutter, 9B6839—1 $\frac{1}{2}$ " Cutter, 9B6840—1 $\frac{1}{2}$ " Cutter, 9B6841—1 $\frac{1}{2}$ " Cutter, 9B6842—1 $\frac{1}{2}$ " Cutter, 9B6843—1 $\frac{1}{2}$ " Cutter, 9B6844—1 $\frac{1}{2}$ " Cutter, 9B6845—1 $\frac{1}{2}$ " Cutter, 9B6846—1 $\frac{1}{2}$ " Cutter, 9B6847—1 $\frac{1}{2}$ " Cutter, 9B6848—1 $\frac{1}{2}$ " Cutter, 9B6849—1 $\frac{1}{2}$ " Cutter, 9B6850—1 $\frac{1}{2}$ " Cutter, 9B6851—1 $\frac{1}{2}$ " Cutter, 9B6852—1 $\frac{1}{2}$ " Cutter, 9B6853—1 $\frac{1}{2}$ " Cutter, 9B6854—1 $\frac{1}{2}$ " Cutter, 9B6855—1 $\frac{1}{2}$ " Cutter, 9B6856—1 $\frac{1}{2}$ " Cutter, 9B6857—1 $\frac{1}{2}$ " Cutter, 9B6858—1 $\frac{1}{2}$ " Cutter, 9B6859—1 $\frac{1}{2}$ " Cutter, 9B6860—1 $\frac{1}{2}$ " Cutter, 9B6861—1 $\frac{1}{2}$ " Cutter, 9B6862—1 $\frac{1}{2}$ " Cutter, 9B6863—1 $\frac{1}{2}$ " Cutter, 9B6864—1 $\frac{1}{2}$ " Cutter, 9B6865—1 $\frac{1}{2}$ " Cutter, 9B6866—1 $\frac{1}{2}$ " Cutter, 9B6867—1 $\frac{1}{2}$ " Cutter, 9B6868—1 $\frac{1}{2}$ " Cutter, 9B6869—1 $\frac{1}{2}$ " Cutter, 9B6870—1 $\frac{1}{2}$ " Cutter, 9B6871—1 $\frac{1}{2}$ " Cutter, 9B6872—1 $\frac{1}{2}$ " Cutter, 9B6873—1 $\frac{1}{2}$ " Cutter, 9B6874—1 $\frac{1}{2}$ " Cutter, 9B6875—1 $\frac{1}{2}$ " Cutter, 9B6876—1 $\frac{1}{2}$ " Cutter, 9B6877—1 $\frac{1}{2}$ " Cutter, 9B6878—1 $\frac{1}{2}$ " Cutter, 9B6879—1 $\frac{1}{2}$ " Cutter, 9B6880—1 $\frac{1}{2}$ " Cutter, 9B6881—1 $\frac{1}{2}$ " Cutter, 9B6882—1 $\frac{1}{2}$ " Cutter, 9B6883—1 $\frac{1}{2}$ " Cutter, 9B6884—1 $\frac{1}{2}$ " Cutter, 9B6885—1 $\frac{1}{2}$ " Cutter, 9B6886—1 $\frac{1}{2}$ " Cutter, 9B6887—1 $\frac{1}{2}$ " Cutter, 9B6888—1 $\frac{1}{2}$ " Cutter, 9B6889—1 $\frac{1}{2}$ " Cutter, 9B6890—1 $\frac{1}{2}$ " Cutter, 9B6891—1 $\frac{1}{2}$ " Cutter, 9B6892—1 $\frac{1}{2}$ " Cutter, 9B6893—1 $\frac{1}{2}$ " Cutter, 9B6894—1 $\frac{1}{2}$ " Cutter, 9B6895—1 $\frac{1}{2}$ " Cutter, 9B6896—1 $\frac{1}{2}$ " Cutter, 9B6897—1 $\frac{1}{2}$ " Cutter, 9B6898—1 $\frac{1}{2}$ " Cutter, 9B6899—1 $\frac{1}{2}$ " Cutter, 9B6900—1 $\frac{1}{2}$ " Cutter, 9B6901—1 $\frac{1}{2}$ " Cutter, 9B6902—1 $\frac{1}{2}$ " Cutter, 9B6903—1 $\frac{1}{2}$ " Cutter, 9B6904—1 $\frac{1}{2}$ " Cutter, 9B6905—1 $\frac{1}{2}$ " Cutter, 9B6906—1 $\frac{1}{2}$ " Cutter, 9B6907—1 $\frac{1}{2}$ " Cutter, 9B6908—1 $\frac{1}{2}$ " Cutter, 9B6909—1 $\frac{1}{2}$ " Cutter, 9B6910—1 $\frac{1}{2}$ " Cutter, 9B6911—1 $\frac{1}{2}$ " Cutter, 9B6912—1 $\frac{1}{2}$ " Cutter, 9B6913—1 $\frac{1}{2}$ " Cutter, 9B6914—1 $\frac{1}{2}$ " Cutter, 9B6915—1 $\frac{1}{2}$ " Cutter, 9B6916—1 $\frac{1}{2}$ " Cutter, 9B6917—1 $\frac{1}{2}$ " Cutter, 9B6918—1 $\frac{1}{2}$ " Cutter, 9B6919—1 $\frac{1}{2}$ " Cutter, 9B6920—1 $\frac{1}{2}$ " Cutter, 9B6921—1 $\frac{1}{2}$ " Cutter, 9B6922—1 $\frac{1}{2}$ " Cutter, 9B6923—1 $\frac{1}{2}$ " Cutter, 9B6924—1 $\frac{1}{2}$ " Cutter, 9B6925—1 $\frac{1}{2}$ " Cutter, 9B6926—1 $\frac{1}{2}$ " Cutter, 9B6927—1 $\frac{1}{2}$ " Cutter, 9B6928—1 $\frac{1}{2}$ " Cutter, 9B6929—1 $\frac{1}{2}$ " Cutter, 9B6930—1 $\frac{1}{2}$ " Cutter, 9B6931—1 $\frac{1}{2}$ " Cutter, 9B6932—1 $\frac{1}{2}$ " Cutter, 9B6933—1 $\frac{1}{2}$ " Cutter, 9B6934—1 $\frac{1}{2}$ " Cutter, 9B6935—1 $\frac{1}{2}$ " Cutter, 9B6936—1 $\frac{1}{2}$ " Cutter, 9B6937—1 $\frac{1}{2}$ " Cutter, 9B6938—1 $\frac{1}{2}$ " Cutter, 9B6939—1 $\frac{1}{2}$ " Cutter, 9B6940—1 $\frac{1}{2}$ " Cutter, 9B6941—1 $\frac{1}{2}$ " Cutter, 9B6942—1 $\frac{1}{2}$ " Cutter, 9B6943—1 $\frac{1}{2}$ " Cutter, 9B6944—1 $\frac{1}{2}$ " Cutter, 9B6945—1 $\frac{1}{2}$ " Cutter, 9B6946—1 $\frac{1}{2}$ " Cutter, 9B6947—1 $\frac{1}{2}$ " Cutter, 9B6948—1 $\frac{1}{2}$ " Cutter, 9B6949—1 $\frac{1}{2}$ " Cutter, 9B6950—1 $\frac{1}{2}$ " Cutter, 9B6951—1 $\frac{1}{2}$ " Cutter, 9B6952—1 $\frac{1}{2}$ " Cutter, 9B6953—1 $\frac{1}{2}$ " Cutter, 9B6954—1 $\frac{1}{2}$ " Cutter, 9B6955—1 $\frac{1}{2}$ " Cutter, 9B6956—1 $\frac{1}{2}$ " Cutter, 9B6957—1 $\frac{1}{2}$ " Cutter, 9B6958—1 $\frac{1}{2}$ " Cutter, 9B6959—1 $\frac{1}{2}$ " Cutter, 9B6960—1 $\frac{1}{2}$ " Cutter, 9B6961—1 $\frac{1}{2}$ " Cutter, 9B6962—1 $\frac{1}{2}$ " Cutter, 9B6963—1 $\frac{1}{2}$ " Cutter, 9B6964—1 $\frac{1}{2}$ " Cutter, 9B6965—1 $\frac{1}{2}$ " Cutter, 9B6966—1 $\frac{1}{2}$ " Cutter, 9B6967—1 $\frac{1}{2}$ " Cutter, 9B6968—1 $\frac{1}{2}$ " Cutter, 9B6969—1 $\frac{1}{2}$ " Cutter, 9B6970—1 $\frac{1}{2}$ " Cutter, 9B6971—1 $\frac{1}{2}$ " Cutter, 9B6972—1 $\frac{1}{2}$ " Cutter, 9B6973—1 $\frac{1}{2}$ " Cutter, 9B6974—1 $\frac{1}{2}$ " Cutter, 9B6975—1 $\frac{1}{2}$ " Cutter, 9B6976—1 $\frac{1}{2}$ " Cutter, 9B6977—1 $\frac{1}{2}$ " Cutter, 9B6978—1 $\frac{1}{2}$ " Cutter, 9B6979—1 $\frac{1}{2}$ " Cutter, 9B6980—1 $\frac{1}{2}$ " Cutter, 9B6981—1 $\frac{1}{2}$ " Cutter, 9B6982—1 $\frac{1}{2}$ " Cutter, 9B6983—1 $\frac{1}{2}$ " Cutter, 9B6984—1 $\frac{1}{2}$ " Cutter, 9B6985—1 $\frac{1}{2}$ " Cutter, 9B6986—1 $\frac{1}{2}$ " Cutter, 9B6987—1 $\frac{1}{2}$ " Cutter, 9B6988—1 $\frac{1}{2}$ " Cutter, 9B6989—1 $\frac{1}{2}$ " Cutter, 9B6990—1 $\frac{1}{2}$ " Cutter, 9B6991—1 $\frac{1}{2}$ " Cutter, 9B6992—1 $\frac{1}{2}$ " Cutter, 9B6993—1 $\frac{1}{2}$ " Cutter, 9B6994—1 $\frac{1}{2}$ " Cutter, 9B6995—1 $\frac{1}{2}$ " Cutter, 9B6996—1 $\frac{1}{2}$ " Cutter, 9B6997—1 $\frac{1}{2}$ " Cutter, 9B6998—1 $\frac{1}{2}$ " Cutter, 9B6999—1 $\frac{1}{2}$ " Cutter, 9B7000—1 $\frac{1}{2}$ " Cutter, 9B7001—1 $\frac{1}{2}$ " Cutter, 9B7002—1 $\frac{1}{2}$ " Cutter, 9B7003—1 $\frac{1}{2}$ " Cutter, 9B7004—1 $\frac{1}{2}$ " Cutter, 9B7005—1 $\frac{1}{2}$ " Cutter, 9B7006—1 $\frac{1}{2}$ " Cutter, 9B7007—1 $\frac{1}{2}$ " Cutter, 9B7008—1 $\frac{1}{2}$ " Cutter, 9B7009—1 $\frac{1}{2}$ " Cutter, 9B7010—1 $\frac{1}{2}$ " Cutter, 9B7011—1 $\frac{1}{2}$ " Cutter, 9B7012—1 $\frac{1}{2}$ " Cutter, 9B7013—1 $\frac{1}{2}$ " Cutter, 9B7014—1 $\frac{1}{2}$ " Cutter, 9B7015—1 $\frac{1}{2}$ " Cutter, 9B7016—1 $\frac{1}{2}$ " Cutter, 9B7017—1 $\frac{1}{2}$ " Cutter, 9B7018—1 $\frac{1}{2}$ " Cutter, 9B7019—1 $\frac{1}{2}$ " Cutter, 9B7020—1 $\frac{1}{2}$ " Cutter, 9B7021—1 $\frac{1}{2}$ " Cutter, 9B7022—1 $\frac{1}{2}$ " Cutter, 9B7023—1 $\frac{1}{2}$ " Cutter, 9B7024—1 $\frac{1}{2}$ " Cutter, 9B7025—1 $\frac{1}{2}$ " Cutter, 9B7026—1 $\frac{1}{2}$ " Cutter, 9B7027—1 $\frac{1}{2}$ " Cutter, 9B7028—1 $\frac{1}{2}$ " Cutter, 9B7029—1 $\frac{1}{2}$ " Cutter, 9B7030—1 $\frac{1}{2}$ " Cutter, 9B7031—1 $\frac{1}{2}$ " Cutter, 9B7032—1 $\frac{1}{2}$ " Cutter, 9B7033—1 $\frac{1}{2}$ " Cutter, 9B7034—1 $\frac{1}{2}$ " Cutter, 9B7035—1 $\frac{1}{2}$ " Cutter, 9B7036—1 $\frac{1}{2}$ " Cutter, 9B7037—1 $\frac{1}{2}$ " Cutter, 9B7038—1 $\frac{1}{2}$ " Cutter, 9B7039—1 $\frac{1}{2}$ " Cutter, 9B7040—1 $\frac{1}{2}$ " Cutter, 9B7041—1 $\frac{1}{2}$ " Cutter, 9B7042—1 $\frac{1}{2}$ " Cutter, 9B7043—1 $\frac{1}{2}$ " Cutter, 9B7044—1 $\frac{1}{2}$ " Cutter, 9B7045—1 $\frac{1}{2}$ " Cutter, 9B7046—1 $\frac{1}{2}$ " Cutter, 9B7047—1 $\frac{1}{2}$ " Cutter, 9B7048—1 $\frac{1}{2}$ " Cutter, 9B7049—1 $\frac{1}{2}$ " Cutter, 9B7050—1 $\frac{1}{2}$ " Cutter, 9B7051—1 $\frac{1}{2}$ " Cutter, 9B7052—1 $\frac{1}{2}$ " Cutter, 9B7053—1 $\frac{1}{2}$ " Cutter, 9B7054—1 $\frac{1}{2}$ " Cutter, 9B7055—1 $\frac{1}{2}$ " Cutter, 9B7056—1 $\frac{1}{2}$ " Cutter, 9B7057—1 $\frac{1}{2}$ " Cutter, 9B7058—1 $\frac{1}{2}$ " Cutter, 9B7059—1 $\frac{1}{2}$ " Cutter, 9B7060—1 $\frac{1}{2}$ " Cutter, 9B7061—1 $\frac{1}{2}$ " Cutter, 9B7062—1 $\frac{1}{2}$ " Cutter, 9B7063—1 $\frac{1}{2}$ " Cutter, 9B7064—1 $\frac{1}{2}$ " Cutter, 9B7065—1 $\frac{1}{2}$ " Cutter, 9B7066—1 $\frac{1}{2}$ " Cutter, 9B7067—1 $\frac{1}{2}$ " Cutter, 9B7068—1 $\frac{1}{2}$ " Cutter, 9B7069—1 $\frac{1}{2}$ " Cutter, 9B7070—1 $\frac{1}{2}$ " Cutter, 9B7071—1 $\frac{1}{2}$ " Cutter, 9B7072—1 $\frac{1}{2}$ " Cutter, 9B7073—1 $\frac{1}{2}$ " Cutter, 9B7074—1 $\frac{1}{2}$ " Cutter, 9B7075—1 $\frac{1}{2}$ " Cutter, 9B7076—1 $\frac{1}{2}$ " Cutter, 9B7077—1 $\frac{1}{2}$ " Cutter, 9B7078—1 $\frac{1}{2}$ " Cutter, 9B7079—1 $\frac{1}{2}$ " Cutter, 9B7080—1 $\frac{1}{2}$ " Cutter, 9B7081—1 $\frac{1}{2}$ " Cutter, 9B7082—1 $\frac{1}{2}$ " Cutter, 9B7083—1 $\frac{1}{2}$ " Cutter, 9B7084—1 $\frac{1}{2}$ " Cutter, 9B7085—1 $\frac{1}{2}$ " Cutter, 9B7086—1 $\frac{1}{2}$ " Cutter,

The "DRIVER" Flexible Shaft



With the equipment shown here it is possible to *sand, grind, drill, polish* and *buff* anywhere within reach of an electric socket—at worth while savings in time and effort!

The flexible shaft has won its present important place in the home, shop, and industrial plant because it fills a definite need which nothing else meets as simply or as economically. It transmits power at various speeds with the continuity and properties of a solid shaft, yet can be operated around corners, at various angles, and in inaccessible places. Thus it enables the operator to perform difficult, tedious work such as drilling, sanding, polishing, grinding, paint removing and almost unlimited other jobs at a minimum of time and effort.

High Speed Ball Bearings

The quality and utility of the "DRIVER" Flexible Shaft should not be underestimated because of its extremely low price. Only the best materials are used throughout. High speed ball-bearings—two rows in each end—reduce friction, eliminate overheating and consequent wear to an absolute minimum and increase substantially the amount of power delivered to the tool.

To make the outfit readily portable a base with metal casters is provided on which the motor table swivels. An *exclusive feature* of the "DRIVER" Flexible Shaft is that two sections may be coupled together to double the length and working radius.

Polish Your Car Electrically

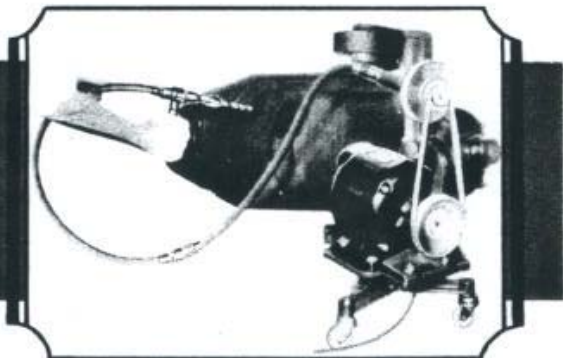
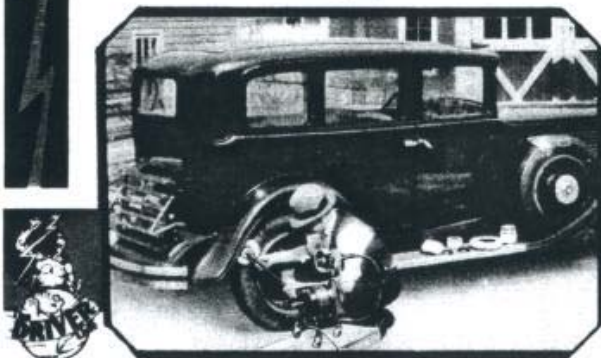
With the "DRIVER" Flexible Shaft, it is easy to keep your car always looking like new. The special sheepskin polishers shown are used for cleaning and polishing. "Traffic film" quickly yields to this modern method. *Shipped Prepaid.*

99B502—Outfit as shown with 5½ ft. flexible shaft complete with accessories, but without motor.....\$18.50

99B504—Complete outfit as shown with ¼ H.P. 60 cycle 110 to 120-volt motor, 1750 R.P.M.....\$29.50

9B6661—Outfit complete, less motor and accessories (includes portable base, motor table, jack-shaft stand, headstock, two pulleys, "V" belt, 32" single length of flexible shaft with ball bearing hand piece, adapter and grip for hand piece).....\$8.40

9B6662—Outfit as above but with ¼ H.P.A.C. Motor, 60 Cycles, 110 to 120 volt, 1750 R.P.M.....\$20.35



Makes Work Easy

\$18⁵⁰

WITH ACCESSORIES
LESS MOTOR
SHIPPED PREPAID



PARTS AND ACCESSORIES

Catalog No.	Description	Shpg. Wt.	Price Each	Catalog No.	Description	Shpg. Wt.	Price Each
9B6581	Ball Bearing Hand Piece	6 oz.	\$1.00	9B6590	Carbon brush	3 oz.	\$0.75
9B6582	Casing	1 lb.	1.00	9B6592	6" Floor Waxing brush	1 lb.	.75
9B6583	Core	8 oz.	1.00	9B5316	1/2 pt. Cement	1 lb.	.39
9B6584	Motor Coupling	2 oz.	.25	9B6593	Jack shaft stand	3 lbs.	.75
9B6585	Shaft Grip	5 oz.	.25	9B6594	Headstock	3 lbs.	1.50
9B6586	Grinding Wheel Guard	1 lb.	.50	9B6598	4 oz. Graphite lubricant	4 oz.	.25
9B6588	Drill Chuck Adapter	5 oz.	.25	9B6599	Table	5 lbs.	.75
9B6589	Buffing Wheel Adapter	1 oz.	.25	9B6600	Base	5 lbs.	1.00
				9B6601	3/4 x 1/8 in. Commutator Saw	5 lbs.	.25

Items not listed above will be found on pages 10 and 11. We pay the postage on orders of \$2.00 or more. See page 1.

EXTRA ACCESSORIES

