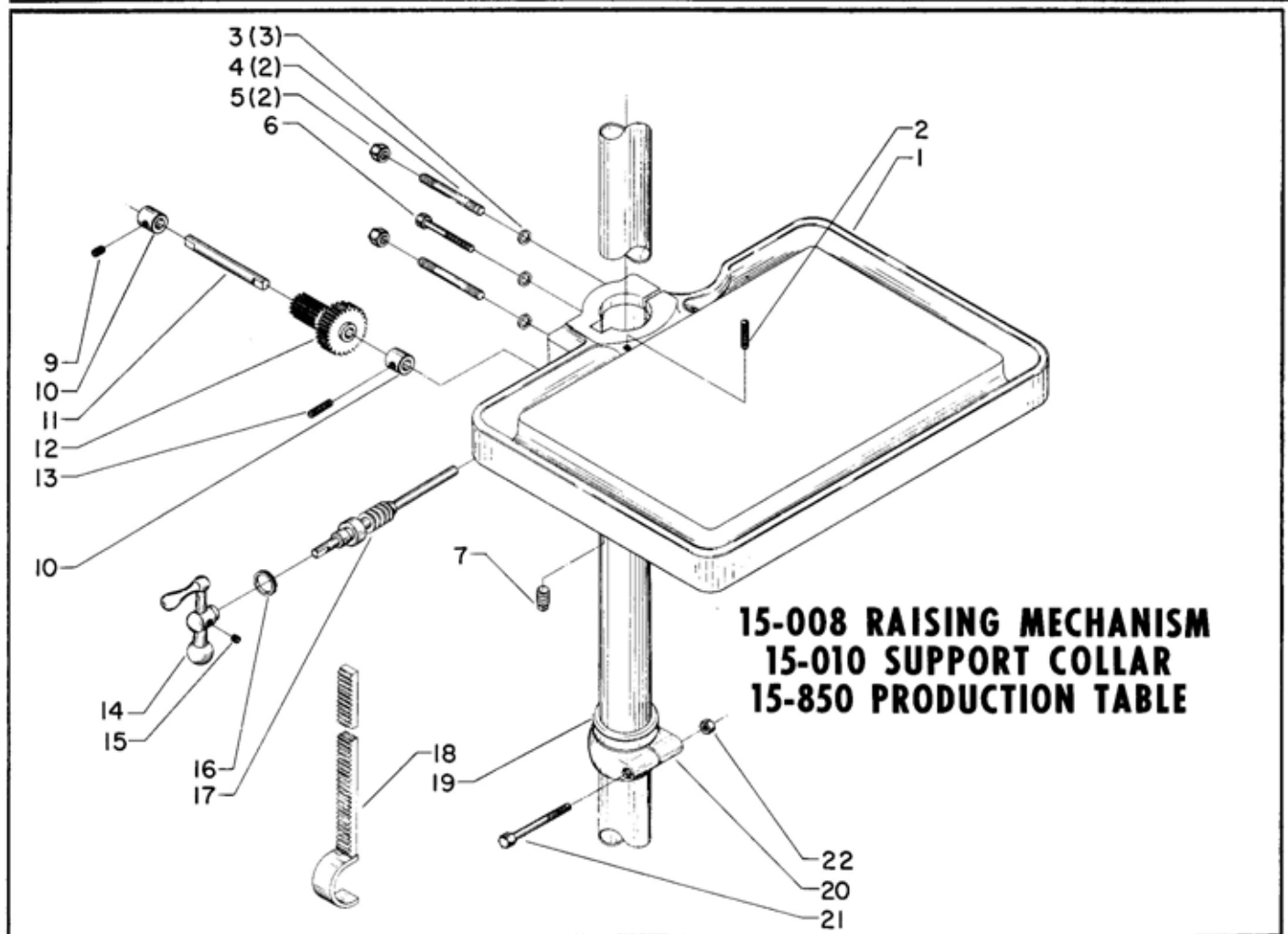




15-008 RAISING MECHANISM 15-010 SUPPORT COLLAR  
15-030 HEAD COUNTERBALANCE 15-820 FOOT FEED  
15-840 MORTISING ATTACHMENT 15-850 PRODUCTION TABLE

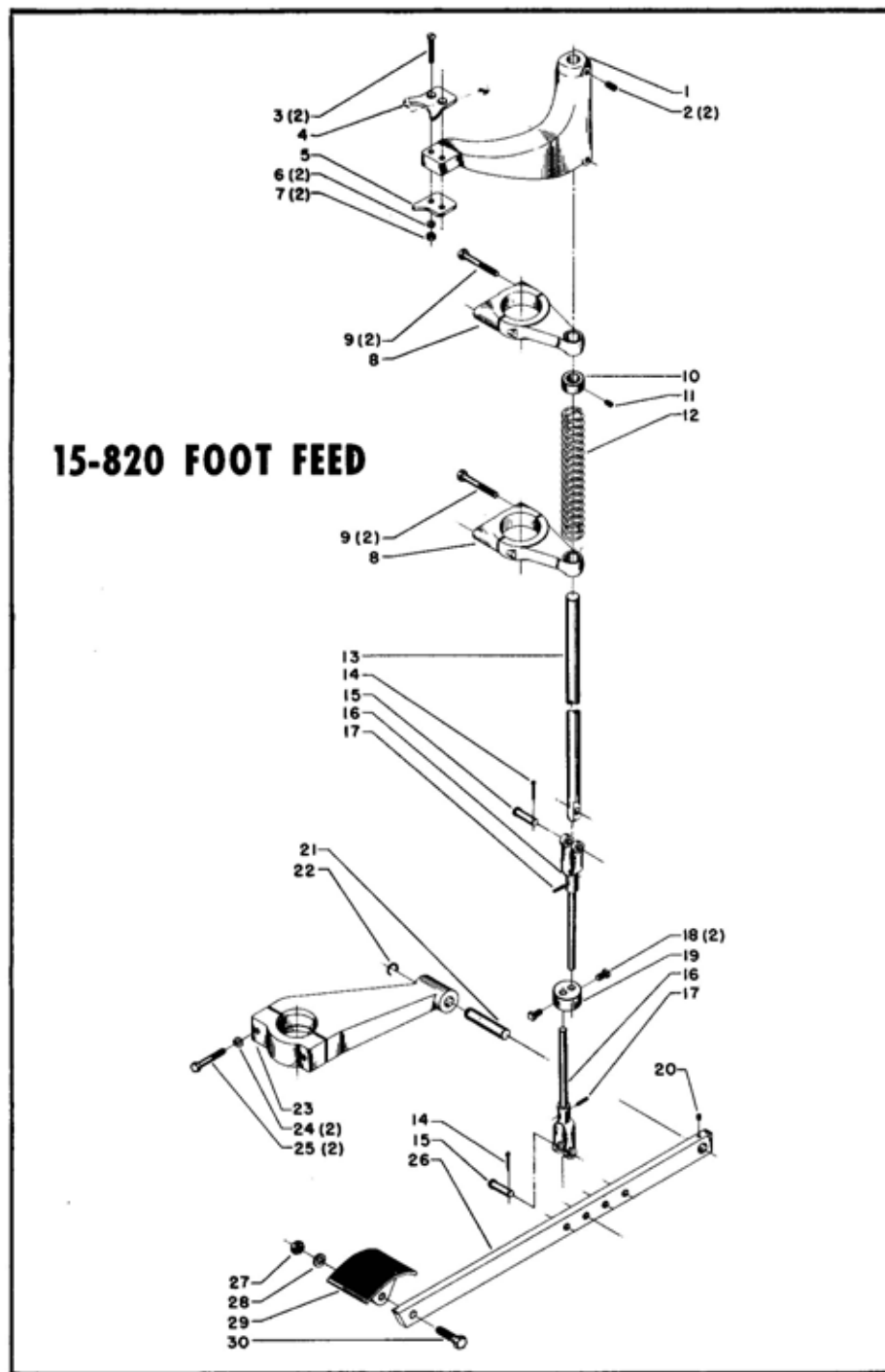


Replacement Parts

Ref. No.	Part No.	Description	Ref. No.	Part No.	Description
1	Cat. No. 15-850	Production Table, Including:	*12	402-07-051-5002	Compound Gear
2	SP-103	5/16-18 x 1/4" Headless Set Scr.	13	SP-115	5/16-18 x 1 1/4" Headless Set Scr.
3	DDL-175	Special Washer	14	DDL-160-S	Handle, Including:
4	NSS-205	Stud	15	SP-206	5/16-18 x 5/16" Soc. Set Scr.
5	SP-1004	7/16"-14 Hex. Nut	16	DP-242	Closure Nut
6	SP-632	7/16-14 x 2 3/4" Hex. Hd. Scr.	17	DP-636-P	Worm Shaft Assembly
7	SP-2439	3/8" Pipe Plug	*18	402-07-351-5001	Rack-.415" Thick
	Cat. No. 15-008	Raising Mechanism, consisting of:	19	DP-383-S	Rack Thrust Bearing
9	SP-207	5/16-18 x 1/2" Soc. Set Scr.	20	Cat. No. 15-010	Support Collar, Including:
10	DP-387	Bushing	21	SP-641	7/16-14 x 3 1/2" Hex. Hd. Scr.
11	DP-444	Shaft	22	SP-1004	7/16"-14 Hex. Nut

\* CAUTION NOTE: Ref. No. 12, Compound Gear and Ref. No. 18, Rack are not interchangeable with corresponding parts of earlier Model Raising Mechanism. If replacement becomes necessary, measure thickness of present Rack to determine which part or combination of parts to order. If Rack measures .415" in thickness replacement parts are Ref. No. 12 and Ref. No. 18 in the above listing. If Rack measures .500" in thickness, the following are the correct replacement parts:

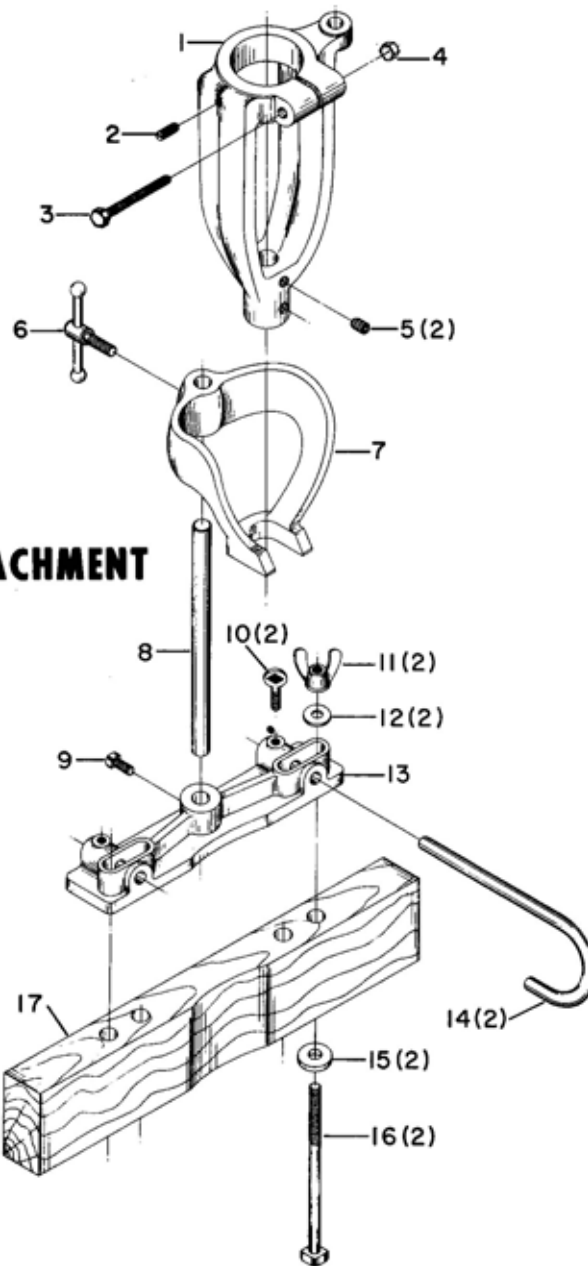
DP-640-F	Compound Gear
DP-641-S	Rack - .500" Thick



## Replacement Parts

Ref. No.	Part No.	Description	Ref. No.	Part No.	Description
1	DP-880	Shifter Bracket	16	DP-504-S	Clevis & Rod, Including:
2	SP-1112	3/8-16 x 1/2"Soc. Set Scr.	17	SP-2718	3/16x 3/4"Roll Pin
3	SP-405	5/16-18 x 1 3/4"Fil. Hd. Scr.	18	SP-312	3/8-16 x 1/2"Sq. Hd. Set Scr.
4	DP-868	Upper Finger Plate	19	DP-509	Connecting Collar
5	DP-394	Lower Finger Plate	20	SP-208	1/4-20 x 1/4"Soc. Set Scr.
6	SP-1703	5/16"Split Lockwasher	21	DP-878	3/4 x 2 7/8"Steel Pin
7	SP-1300	5/16-18 Hex. Nut	22	SP-7041	Retaining Ring
8	DP-876-S	Support Collar, Including:	23	DP-877-A	Foot Lever Bracket, Including:
9	SP-644	3/8-16 x 2 1/2"Hex. Hd. Scr.	24	SP-1704	3/8"Split Lockwasher
10	TCS-249-S	Set Collar, Including:	25	SP-646	3/8-16 x 2"Hex. Hd. Screw
11	SP-206	5/16-18 x 5/16"Soc. Set Scr.	26	DP-594	Treadle Lever
12	928-01-601-8883	Coil Spring	27	SP-1282	1/2"-13 Hex. Nut
13	DP-555	7/8 x 37"Rod	28	SP-1705	1/2"Split Lockwasher
14	SP-2108	1/8 x 1"Cotter Pin	29	DP-689	Treadle
15	DP-694	Steel Pin	30	SP-3120	1/2-13 x 1 3/4"Hex. Hd. Scr.

## 15-840 MORTISING ATTACHMENT

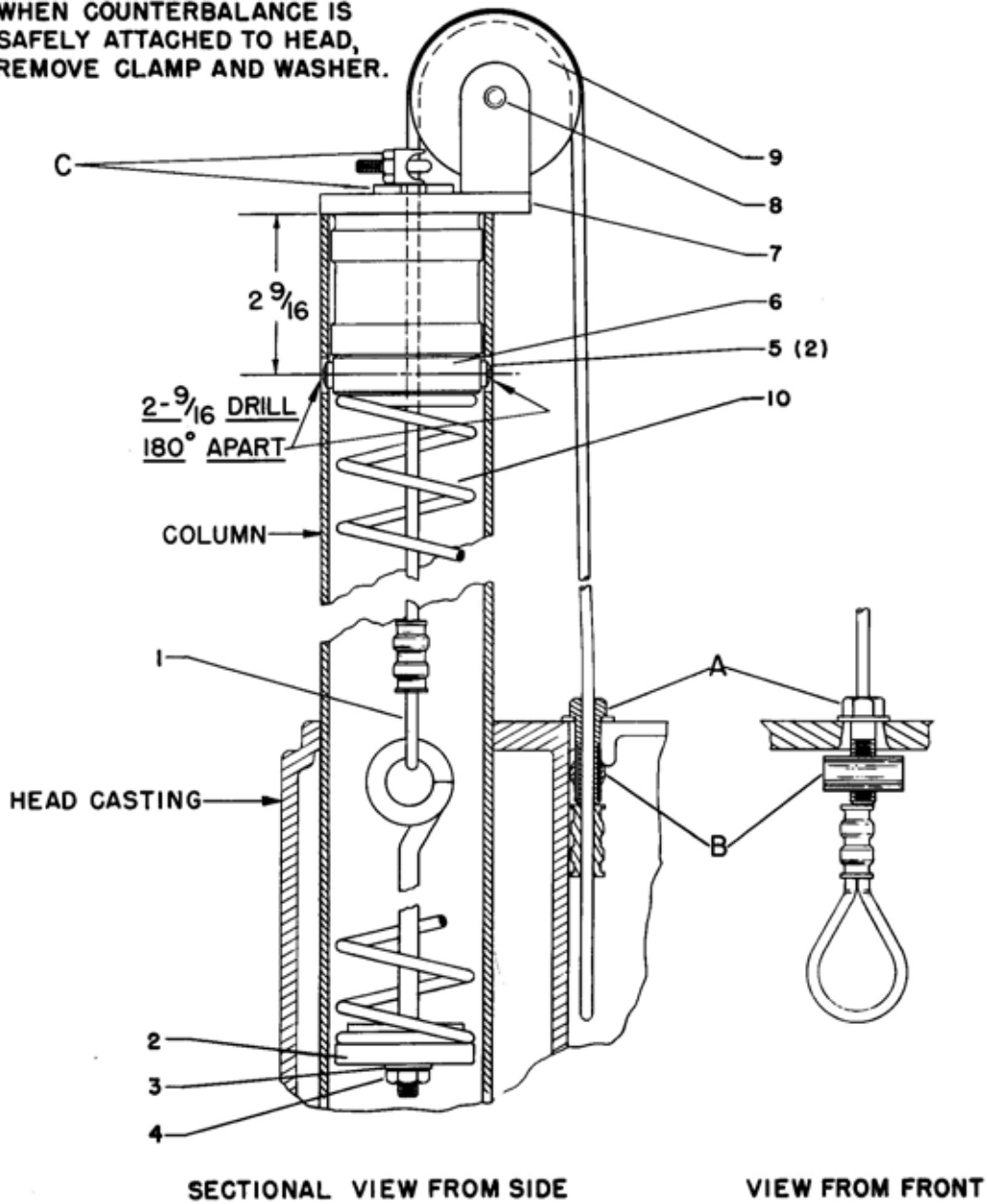


## Replacement Parts

Ref. No.	Part No.	Description
1	DP-529	Chisel Holder
2	SP-112	#10-32 x 1/2" Headless Set Scr.
3	SP-622	1/4-20 x 2" Hex. Hd. Scr.
4	SD-18	Special Clamp Nut
5	SP-201	5/16-18 x 5/16" Soc. Set Scr.
6	BM-47-S	Lock Bolt
7	DP-523	Arm
8	DP-331	1/2 x 6-3/16" Steel Rod
9	SP-301	1/4-20 x 1/2" Sq. Hd. Set Scr.
10	SP-1505	1/4-20 x 1/2" Thumb Screw
11	BM-20	5/16"-18 Wing Nut
12	SP-1620	11/32 x 11/16 x 1/16" Washer
13	DP-330	Rod Holder
14	BM-14	Curved Rod
15	BM-46	Special Washer
16	SP-6039	5/16-18 x 4-1/2" Sq. Hd. Bolt
17	DP-333	Fence

# 15-030 HEAD COUNTERBALANCE

NOTE :  
WHEN COUNTERBALANCE IS  
SAFELY ATTACHED TO HEAD,  
REMOVE CLAMP AND WASHER.



## Replacement Parts

Ref. No.	Part No.	Description
1	402-02-381-5001	Cable & Eyebolt Assy. , Including:
2	DP-443	Plate
3	SP-1620	11/32 x 11/16 x 1/16" Steel Washer
4	SP-1300	5/16"-18 Hex. Nut
5	DP-421	Special Screw
6	DP-420	Retainer
7	DP-216	Bracket
8	SP-2728	3/8 x 1 1/4" Roll Pin
9	DP-454	Pulley
10	DP-441	Spring