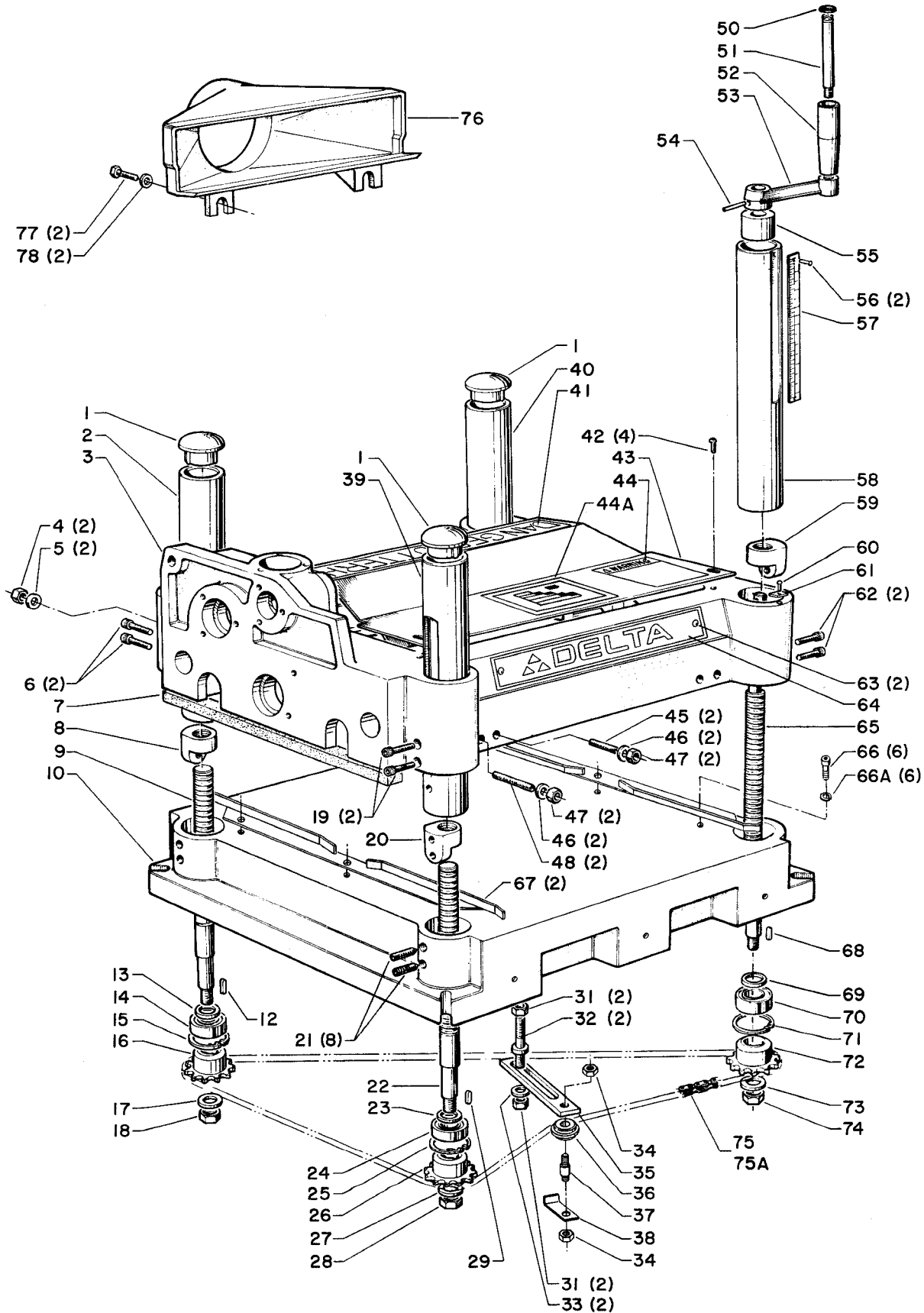


**DC-33**  
**13" X 5.9" PLANER**  
(For Serial Nos SH00001 and Higher)



## Parts List for 22-660 Type 2

Item Number	Part Number	Description	Qty Required
1	428060200001	COLUMN CAP	3
2	1330513	LEFT REAR COLUMN	1
3	1330494	HEAD CASTING	1
4	491964-00	NUT	2
5	1313194	WAVE WASHER	2
6	1246004	CAP SCREW	2
7	1330547	SPONGE	1
8	1330504	NUT	1
9	428060850001	SPINDLE	1
10	1330495	TABLE	1
12	428060790003	KEY	1
13	428061040003	WASHER	1
14	920040124029	BEARING	1
15	1243505	RING	1
16	428061340001	SPROCKET	1
17	428061040004	WASHER	1
18	1243496	NUT-STEEL	1
19	1246004	CAP SCREW	2
20	1330504	NUT	1
21	1246012	SET SCREW	8
22	428060850001	SPINDLE	1
23	428061040003	WASHER	1
24	920040124029	BEARING	1
25	1243505	RING	1
26	428061340001	SPROCKET	1
27	428061040004	WASHER	1
28	1243496	NUT-STEEL	1

COPYRIGHT© 2005. All Rights Reserved.

Parts list, pricing, and availability subject to change. Please visit [www.dewaltservicenet.com](http://www.dewaltservicenet.com) for current parts information.

## Parts List for 22-660 Type 2

Item Number	Part Number	Description	Qty Required
29	428060790003	KEY	1
31	1243496	NUT-STEEL	4
32	1330527	PIN	2
33	904010101605	WASHER	2
34	491964-00	NUT	2
35	1330526	SUPPORT	1
36	1330535	GUIDE	1
37	1330683	SCREW	1
38	000000-00	No Longer Available	1
39	1330511	LEFT FRONT COLUMN	1
40	1330514	RIGHT REAR COLUMN	1
41	1349443	WARNING LABEL	1
42	1246045	MACH SCREW	4
43	1330538	COVER	1
44	1330433	WARNING LABEL	1
44	1330704	LABEL	1
45	1246150	SET SCREW	2
46	488822-00	FLAT WASHER	4
47	491964-00	NUT	4
48	1246151	SET SCREW	2
50	1246026	EXT RET RING	1
51	428061110001	STUD	1
52	428060670001	HANDLE	1
53	428060330001	CRANK	1
54	1246023	ROLL PIN	1
55	428060170002	BUSHING	1
56	1246000	MACH SCREW	2

COPYRIGHT© 2005. All Rights Reserved.

Parts list, pricing, and availability subject to change. Please visit [www.dewaltservicenet.com](http://www.dewaltservicenet.com) for current parts information.

## Parts List for 22-660 Type 2

Item Number	Part Number	Description	Qty Required
57	1330542	SCALE	1
58	1330512	RIGHT FRONT COLUMN	1
59	1330504	NUT	1
60	422280790015	RIVIT	1
61	428060750001	POINTER	1
62	1246004	CAP SCREW	2
63	422280790015	RIVIT	2
64	428061370001	NAMEPLATE	1
65	428060850002	SPINDLE	1
66	1246056	CAP SCREW	6
66	491957-00	LOCK WASHER	6
67	1330708	GUIDE	2
68	428060790003	KEY	1
69	428061040003	WASHER	1
70	920040124029	BEARING	1
71	1243505	RING	1
72	428061340001	SPROCKET	1
73	428061040004	WASHER	1
74	1243496	NUT-STEEL	1
75	000000-00	No Longer Available	1
75	428060230004	MASTER LINK	1
76	5140043-19	DUST HOOD	1
77	1246034	CAP SCREW	2
78	422300790006	WASHER	2
80	1246032	CAP SCREW	4
81	488822-00	FLAT WASHER	8
82	491964-00	NUT	4

COPYRIGHT© 2005. All Rights Reserved.

Parts list, pricing, and availability subject to change. Please visit [www.dewaltservicenet.com](http://www.dewaltservicenet.com) for current parts information.

## Parts List for 22-660 Type 2

Item Number	Part Number	Description	Qty Required
90	436021150101	SHELF	1
90	000000-00	No Longer Available	1
91	902010101300	HEX NUT	24
92	904010101620	WASHER	8
93	904020101703	LOCK WASHER	8
94	901110200834	CARRIAGE BOLT	24
95	436021030011	TIE BAR-20.91	2
96	000000-00	No Longer Available	2
97	436020660028	LEG	4
100	1330519	BELT COVER	1
101	1246002	MACH SCREW	5
102	920040224020	BEARING	1
103	000000-00	No Longer Available	1
104	1330709	NUT	1
105	1330523	BRACKET	1
106	1330671	ROLL PIN	1
107	1246196	EXT RET RING	1
108	1330678	V-BELT	1
109	1330505	PULLEY	1
110	428061040002	WASHER	1
111	1246015	CAP SCREW	1
112	1330543	PULLEY 1PH MOTOR	1
113	1330506	PULLEY 3PH MOTOR	1
114	428061040001	WASHER	1
115	901010600649	CAP SCREW	1
117	1330706	WASHER	1
118	1246030	CAP SCREW	1

COPYRIGHT© 2005. All Rights Reserved.

Parts list, pricing, and availability subject to change. Please visit [www.dewaltservicenet.com](http://www.dewaltservicenet.com) for current parts information.

## Parts List for 22-660 Type 2

Item Number	Part Number	Description	Qty Required
119	1246185	ROLLPIN	1
120	901030100791	CAP SCREW	4
121	1330534	GUARD	1
122	62-185	MTR 1PH 2HP DC33	1
124	1246013	CAP SCREW	1
125	1330707	WASHER	1
126	1243501	SCREW	2
127	1330541	PLATE	1
128	1330540	HANDLE	1
129	428070670003	BALL HANDLE	1
130	000000-00	No Longer Available	1
130	1310146	SCREW	2
130	1243395	HEX NUT	2
131	000000-00	No Longer Available	1
131	000000-00	No Longer Available	1
132	438010040007	CLAMP	2
133	438010110054	INSULATOR SLEEVE	2
134	1246015	CAP SCREW	1
135	428061040002	WASHER	1
136	1330520	SPROCKET	1
137	1246004	CAP SCREW	3
138	000000-00	No Longer Available	1
139	1330664	SEAL	1
140	1330662	BEARING	1
141	1330668	O RING	1
142	1330532	SPROCKET	1
143	1330139	KEY	1

COPYRIGHT© 2005. All Rights Reserved.

Parts list, pricing, and availability subject to change. Please visit [www.dewaltservicenet.com](http://www.dewaltservicenet.com) for current parts information.

## Parts List for 22-660 Type 2

Item Number	Part Number	Description	Qty Required
144	428080790001	KEY	1
145	1330510	GEAR	1
146	000000-00	No Longer Available	1
147	1313116	BEARING	1
148	1330075	RETAINING RING	1
149	000000-00	No Longer Available	1
150	000000-00	No Longer Available	1
151	1330537	SPRING	1
152	1246130	MACH SCREW	1
153	1330670	RETAINING RING	1
154	1330535	GUIDE	1
155	1246026	EXT RET RING	1
156	1330555	CHAIN	1
156	1330555	CHAIN	1
157	1246104	CAP SCREW	3
158	1344216	COVER W/SEAL	1
158	1344217	SEAL	1
159	1313116	BEARING	1
160	1330533	SHAFT	1
161	428070790005	KEY	1
162	422291390002	BEARING	1
163	1243407	RING	1
164	422290740001	PLUG	3
165	1246004	CAP SCREW	3
166	1330501	COVER	1
167	920040224020	BEARING	1
168	1330531	SHAFT	1

COPYRIGHT© 2005. All Rights Reserved.

Parts list, pricing, and availability subject to change. Please visit [www.dewaltservicenet.com](http://www.dewaltservicenet.com) for current parts information.

## Parts List for 22-660 Type 2

Item Number	Part Number	Description	Qty Required
169	920040105355	BEARING	1
170	1246045	MACH SCREW	3
171	904010101604	STEEL WASHER	3
172	1330518	CHIP DEFLECTOR	1
175	1330521	SPROCKET	1
176	1246137	SET SCREW	2
177	1246015	CAP SCREW	1
178	000000-00	No Longer Available	1
179	1330679	V-BELT	1
180	1330507	CUTTERHEAD PULLEY	1
181	1246190	RET RING	1
182	920040224020	BEARING	1
183	1330521	SPROCKET	1
184	1246137	SET SCREW	2
185	1330548	SCREW	1
186	1330660	SPRING	1
187	1330549	SCREW	2
188	1330559	SPRING	2
189	1246077	ROLL PIN	2
190	1246045	MACH SCREW	1
191	1330682	CLAMP	1
192	000000-00	No Longer Available	1
193	422290790001	WASHER	2
194	491964-00	NUT	4
195	000000-00	No Longer Available	2
196	1330688	BRACKET LR	1
197	1313116	BEARING	2

COPYRIGHT© 2005. All Rights Reserved.

Parts list, pricing, and availability subject to change. Please visit [www.dewaltservicenet.com](http://www.dewaltservicenet.com) for current parts information.



## Parts List for 22-660 Type 2

Item Number	Part Number	Description	Qty Required
198	1330557	KEY	1
199	1330522	ROD	1
200	1330516	OUTFEED ROLLER	1
201	1330687	BRACKET RR	1
202	1330508	BUSHING	1
203	1330548	SCREW	1
204	000000-00	No Longer Available	1
205	000000-00	No Longer Available	2
206	1330503	COVER	1
207	1246181	RET RING	1
208	920040224020	BEARING	1
209	1330143	SCREW	15
210	1330558	KNIFE LOCK BAR	3
211	22-656	KNIVES/RC-33	3
212	1246158	SET SCREW	6
213	1330112	NUT	6
214	1330530	CUTTERHEAD	1
215	1330556	USE 1347704	1
216	1313116	BEARING	2
217	1330557	KEY	1
218	1330517	INFEED ROLLER	1
219	1330508	BUSHING	1
220	1330552	COLLAR	2
221	1246137	SET SCREW	2
222	1330686	BRACKET RF	1
223	1330536	CHIP BREAKER BUSHING	2
224	1330515	CHIPBREAKER	1

COPYRIGHT© 2005. All Rights Reserved.

Parts list, pricing, and availability subject to change. Please visit [www.dewaltservicenetwork.com](http://www.dewaltservicenetwork.com) for current parts information.

## Parts List for 22-660 Type 2

Item Number	Part Number	Description	Qty Required
225	1330689	SPONGE	1
226	1330685	BRACKET LF	1
227	1330522	ROD	1
228	000000-00	No Longer Available	1
229	428061010001	OPEN-END WRENCH	1
230	428061010002	3MM HEX WRENCH	1
231	422291010002	4MM HEX WRENCH	1
232	428071010002	6MM HEX WRENCH	1
233	1330546	GAGE	1
234	1246023	ROLL PIN	2

COPYRIGHT© 2005. All Rights Reserved.

Parts list, pricing, and availability subject to change. Please visit [www.dewaltservicenet.com](http://www.dewaltservicenet.com) for current parts information.