

Logan

Lathe

PARTS LIST

LOGAN ENGINEERING COMPANY • Chicago, Ill.

1935-2

HOW TO ORDER REPAIR PARTS

Should you need repair parts for your lathe the following information is necessary to fill your order promptly and correctly.

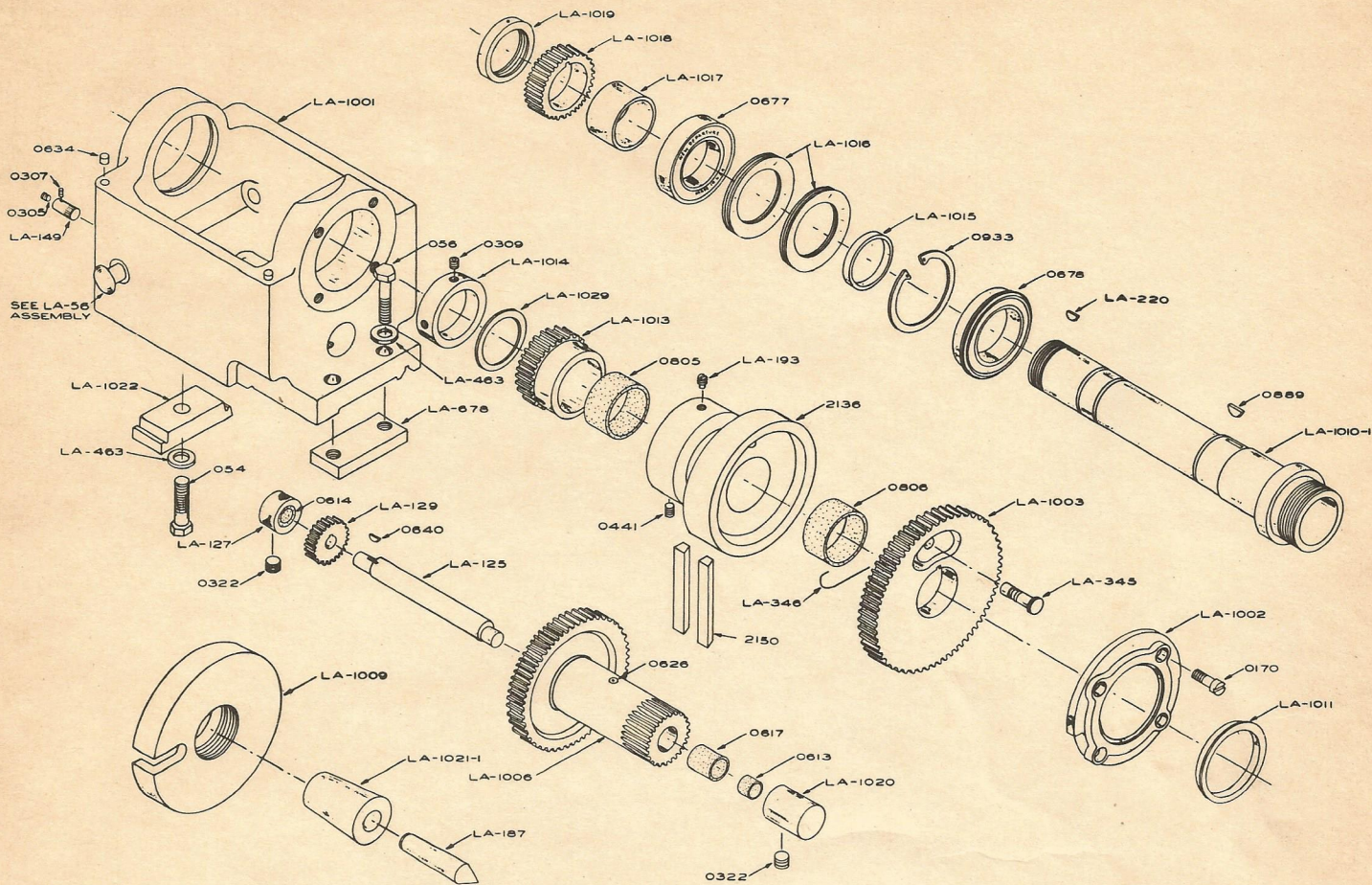
1. Complete name and number of the part as listed in the parts list.
2. Model and serial number of your lathe. Serial number is stamped on top of the front way at the right end of the lathe.

Please place your order through the Logan dealer from whom you obtained the lathe.

PLEASE NOTE: The model and serial number of your lathe must appear on your order to insure prompt shipment.

LA-1000-2 HEADSTOCK ASSEMBLY

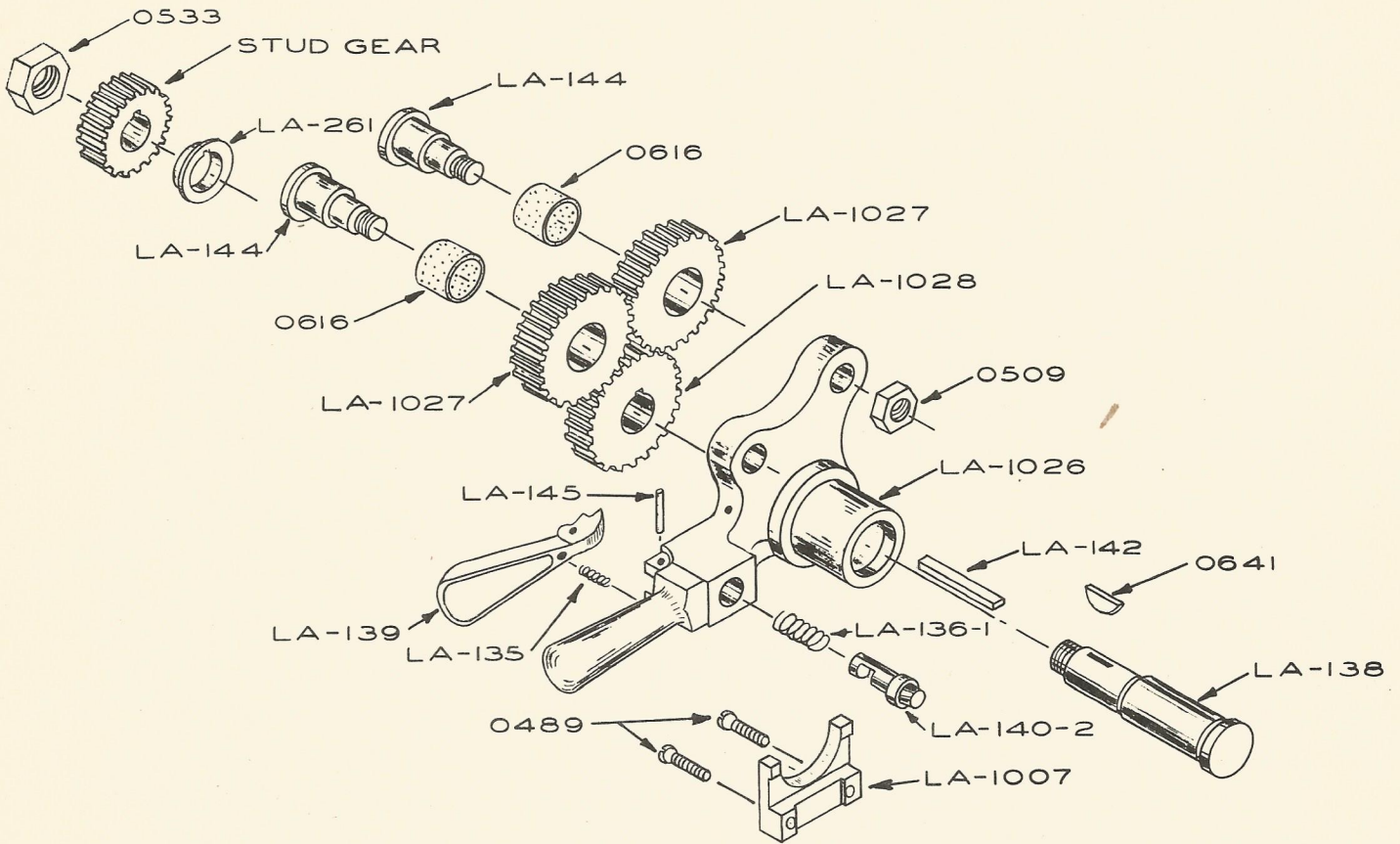
IL



PART NO.	NO. REQ'D	NAME OF PART	SHIP. WT.	
			LBS.	OZ.
LA-125	1	Eccentric Shaft.....	1	12
LA-127	1	Bushing with 0614.....		8
LA-129	1	Shifter Gear.....		10
LA-149	2	Stop Pin with 0305..... and 0307.....		3
LA-187	1	Center.....		10
LA-193	1	Locking Screw.....		3
LA-220	1	Woodruff Key		3
LA-345	1	Bull Gear Plunger.....		6
LA-346	1	Spring.....		4
LA-463	3	Washer.....		3
LA-678	1	Headstock Clamp, Front...	1	
LA-1001	1	Headstock.....	35	
LA-1002	1	Bearing Cover.....	3	
LA-1003	1	Bull Gear Assembly..... consists of:- LA-1003, LA-345, LA-346.....	6	
LA-1006	1	Back Gear		
		with 0626 and 2 of 0617.	12	
LA-1009	1	6" Face Plate.....	4	
LA-1010-1	1	Spindle.....	12	
LA-1011	1	Grease Seal.....	1	
LA-1013	1	Cone Pinion Gear with 0805.....	1	
LA-1014	1	Collar with 2 of 0309....	1	
LA-1015	1	Spacer.....		3
LA-1016	4	Spring Washers, (Bell- ville).....		3
LA-1017	1	Spacer.....	1	
LA-1018	1	Spindle Gear.....	1	
LA-1019	1	Take-Up Nut.....		8
LA-1020	1	Bushing with 0613.....	1	
LA-1021-1	1	Sleeve.....	1	8
LA-1022	1	Headstock Clamp.....		8
LA-1029	1	Fiber Washer.....		3
LA-1136	1	Rubber Plug.....		3

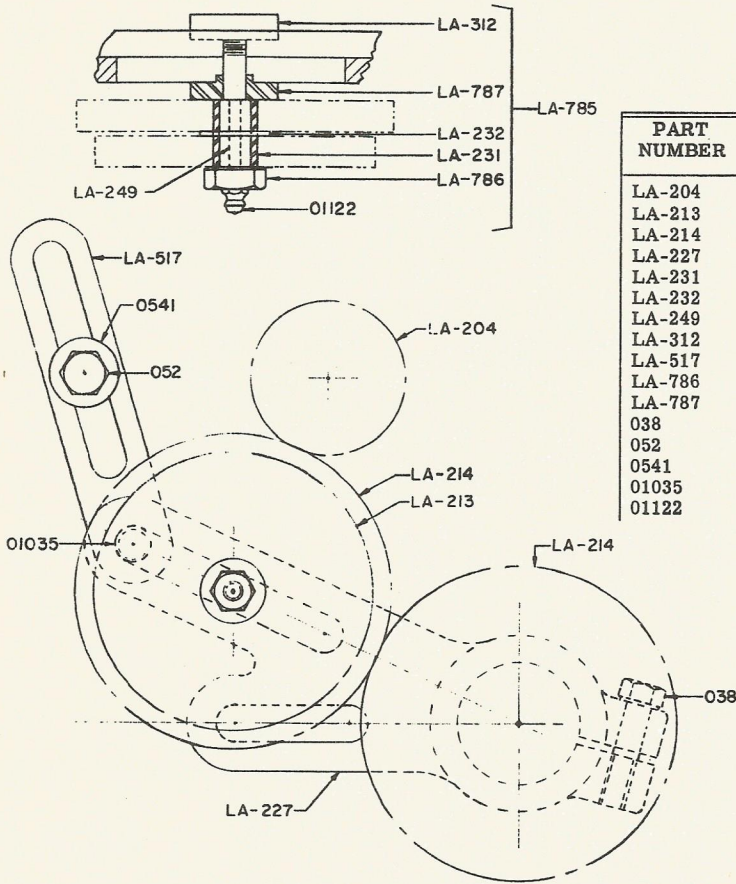
PART NO.	NO. REQ'D	NAME OF PART	SHIP. WT.	
			LBS.	OZ.
2136	1	Vee Spindle Pulley with LA-193 & 0441.....	9	
2150	2	Vee Belts.....		9
054	1	Hex Head Cap Screw 7/16-14 x 1-3/4".....		3
056	2	Hex. Head Cap Screw 7/16-14 x 2-1/4".....		3
0170	4	Fillister Head Cap Screw 5/16-18 x 7/8"....		3
0305	2	Socket Set Screw 10-32 x 3/16".....		3
0307	2	Socket Set Screw 10-32 x 3/8".....		3
0309	2	Socket Set Screw 1/4-20 x 1/4".....		3
0322	2	Socket Set Screw 7/16-14 x 5/16".....		3
0441	1	Headless Set Screw 1/4-20 x 3/8".....		3
0613	1	Oilless Bushing.....		3
0614	1	Oilless Bushing.....		3
0617	2	Oilless Bushing.....		4
0626	1	Oil Cup 1/4".....		3
0634	2	Rubber Bumpers.....		1
0640	1	Woodruff Key, 1/8 x 1/2"		3
0677	1	Ball Bearing, Rear, 773L09N3C-P1.....	1	
0678	1	Ball Bearing, Front, 4773Lion3081C-P1.....	1	5
0805	2	Oilless Bushing.....		6
0806	1	Oilless Bushing.....		6
0889	1	Woodruff Key, 3/4 x 3/16"		3
0933	1	Tru-Arc Ring		3

LA-1025 REVERSE GEAR ASSEMBLY



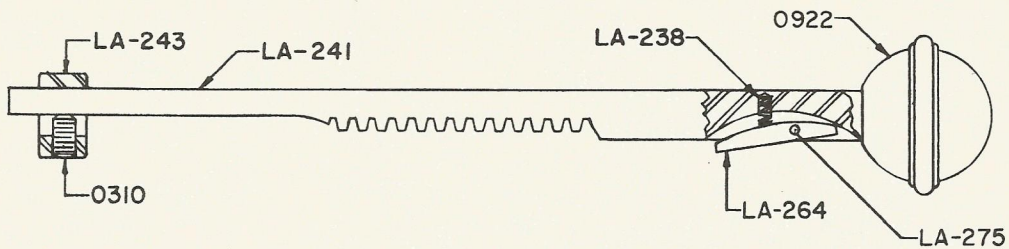
PART NO.	NO. REQ'D,	NAME OF PART	SHPG, WEIGHT	
			LBS.	OZS.
LA-135	1	Handle Spring		3
LA-136	1	Plunger Spring		4
LA-138	1	Reverse Gear Shaft		14
LA-139	1	Plunger Lever		6
LA-140-2	1	Plunger		3
LA-142	1	Oiler		3
LA-144	2	Pinion Stud		8
LA-145	1	Handle Pin		3
LA-261	1	Spacer		12
LA-1007	1	Lock		6
LA-1026	1	Reverse Gear Bracket	3	
LA-1027	2	Idler Gear with 0616	1	
LA-1028	1	Reverse Gear	1	
0489	2	Round Head Screw 10-24 x 3/4"		3
0509	2	Hex.Nut 5/16"-18		3
0533	1	Jam Nut 1/2"-20		3
0616	2	Oilless Bushing		4
0641	1	Woodruff Key 5/32" x 7/8"		3

LA-9-2 CHANGE GEAR ASSEMBLY
(From Serial No. 67839)

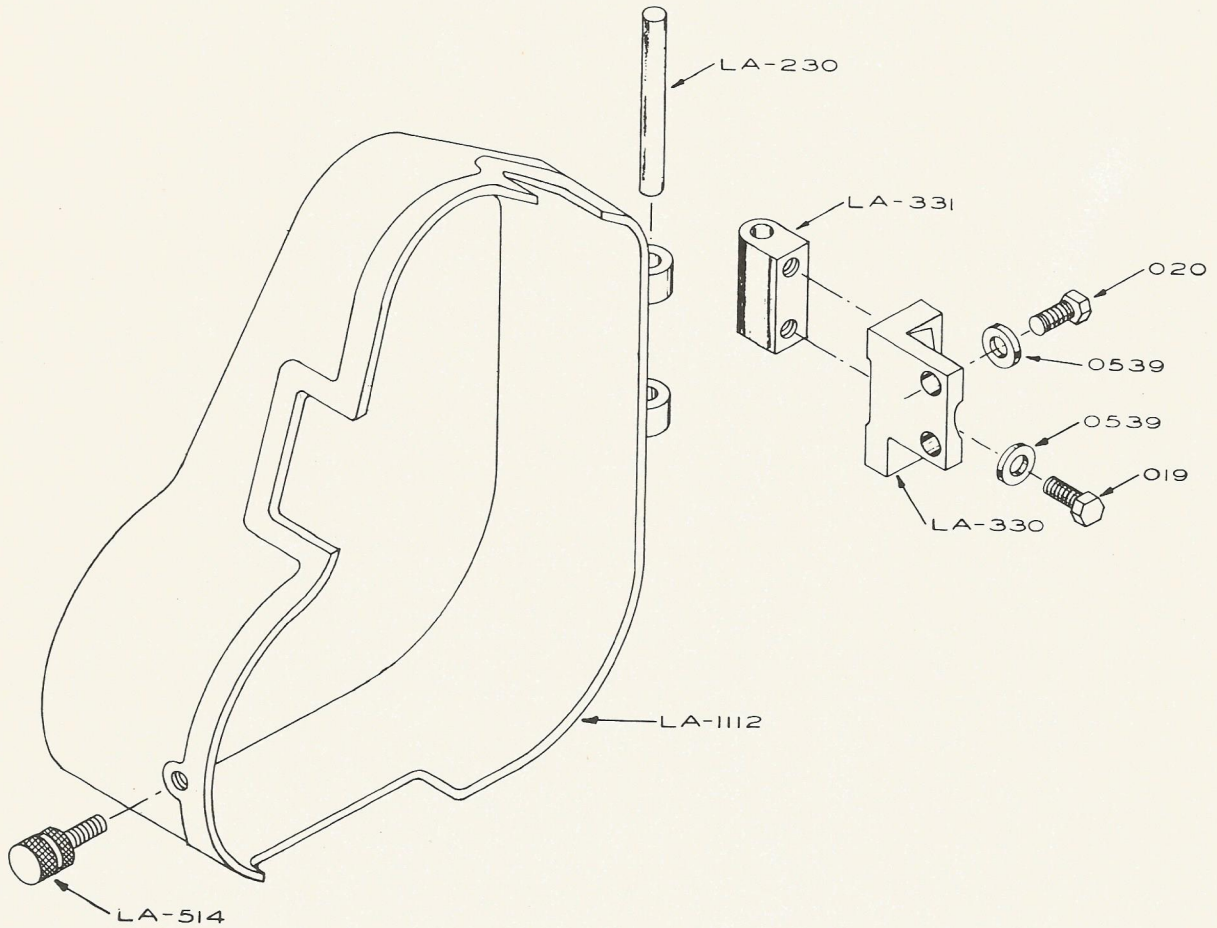


PART NUMBER	NO. REQ'D.	DESCRIPTION	SHIPPING WEIGHT	
			LBS.	OZS.
LA-204	1	Change Gear, 36 T.	1	
LA-213	1	Change Gear, 64 T.	1	8
LA-214	2	Change Gear, 72 T.	1	12
LA-227	1	Change Gear Bracket	3	12
LA-231	1	Change Gear Bushing		5
LA-232	1	Washer		3
LA-249	1	Key		2
LA-312	1	Nut		6
LA-517	1	Bracket		10
LA-786	1	Stud		12
LA-787	1	Spacer		6
038	1	Hex. Hd. Cap Screw 3/8-16 x 1-1/2		3
052	1	Hex. Hd. Cap Screw 7/16-14 x 1-1/4		3
0541	1	Washer 7/16 x 1		3
01035	1	Roll Pin 1/2 x 1-3/4.		6
01122	1	Grease Fitting		3

LA-56 SHIFTER RACK ASSEMBLY



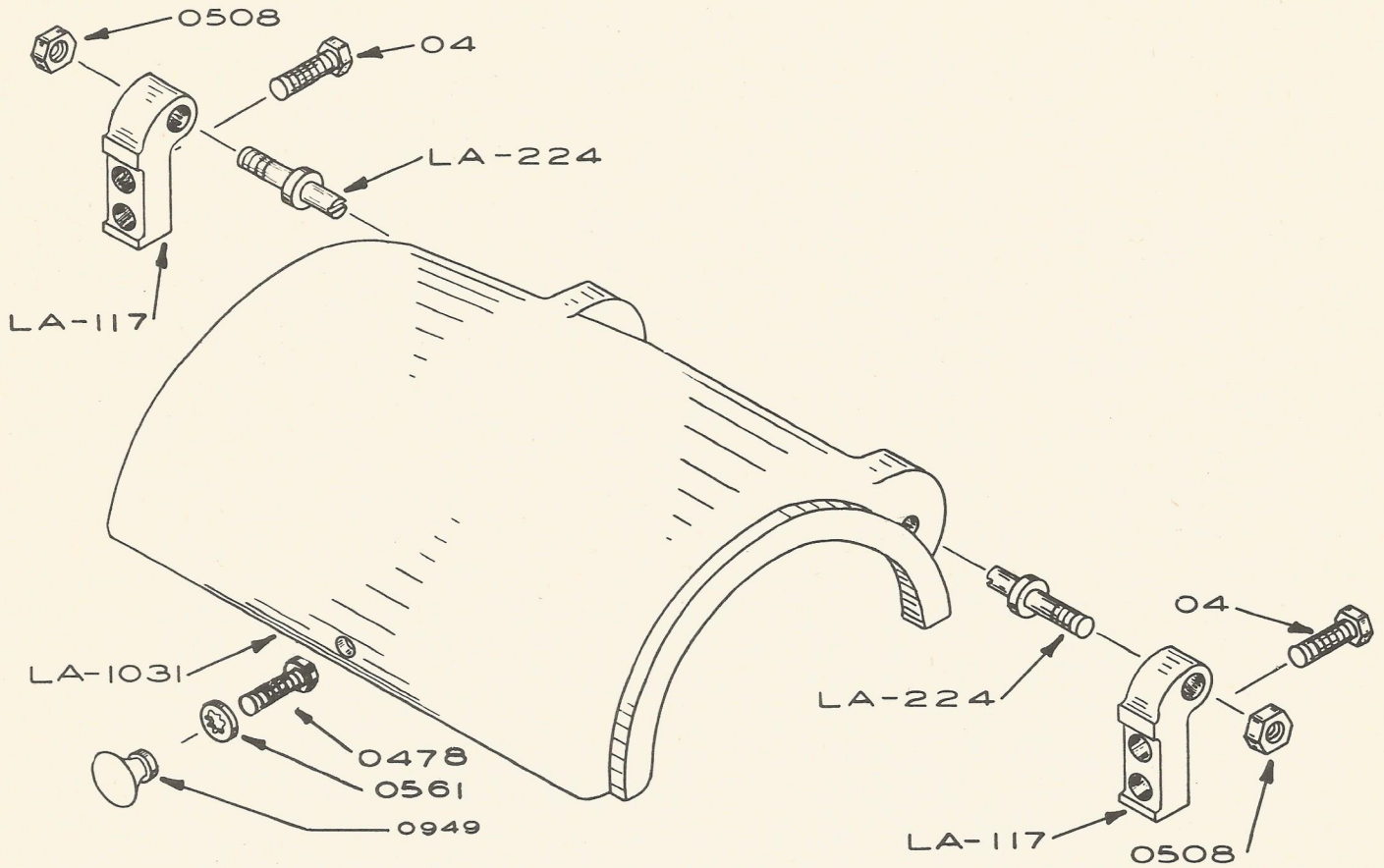
PART NUMBER	NO. REQ'D.	DESCRIPTION	SHIPPING WEIGHT	
			LBS.	OZS.
LA-238	1	Spring		6
LA-241	1	Shifter Rack	1	8
LA-243	1	Collar		4
LA-264	1	Latch		3
LA-275	1	Pin		1
0310	1	Socket Set Screw 1/4-20 x 3/8 . . .		3
0922	1	Plastic Knob		4



PART NO.	NO. REQ'D	NAME OF PART	SHIP. WT.	
			LBS.	OZ.
LA-230	1	Hinge Pin.		6
LA-330	1	Hinge Bracket.	1	8
LA-330-A	1	Hinge Bracket Assembly consists of. LA-330, LA-331, and two of #019 and 0539	2	
LA-331	1	Hinge Block.	1	
LA-514	1	Knob		3
LA-1112	1	Gear Guard	14	
019	2	Hex. Head Cap Screw 5/16" -18 x 7/8"		3
020	2	Hex. Head Cap Screw 5/16"-18 x 1"		3
0539	4	Washer 11/32" x 3/4"		3

LA-1030 COVER ASSEMBLY

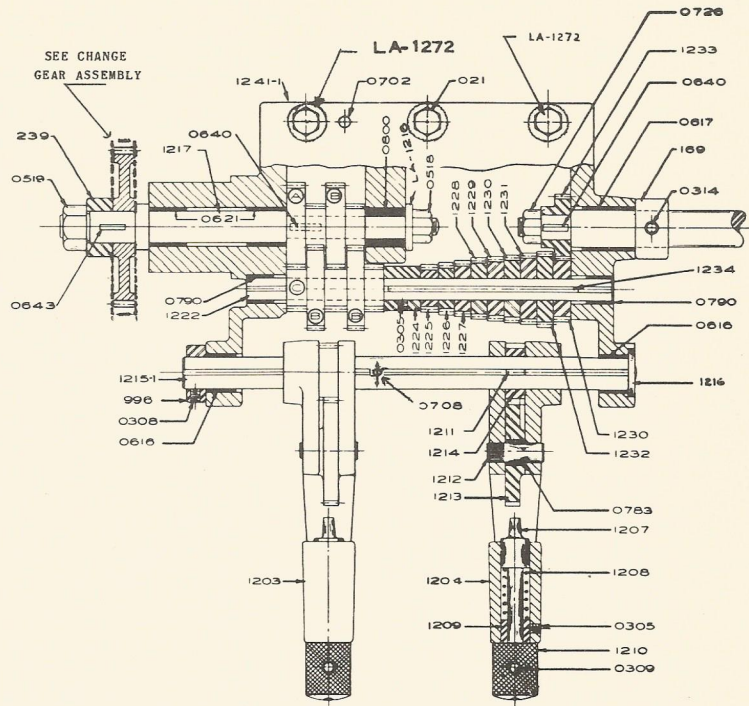
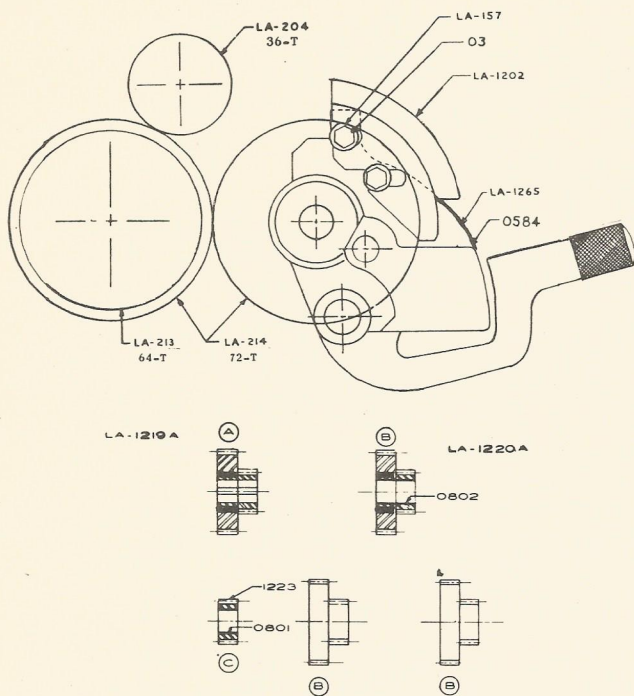
IN



PART NO.	NO. REQ'D	NAME OF PART	SHPG. WEIGHT	
			LBS.	OZS.
LA-117	2	Hinge Bracket.		3
LA-224	2	Hinge Pin.		3
LA-1031	1	Headstock Cover.	8	
04	4	Hex. Head Cap Screw 1/4 -20 x 7/8"		3
0478	1	Round Head Screw		3
0508	2	Hex. Nut 1/4 -20		3
0561	1	Washer		3
0949	1	Knob		2

LA-1240-2 GEAR BOX ASSEMBLY

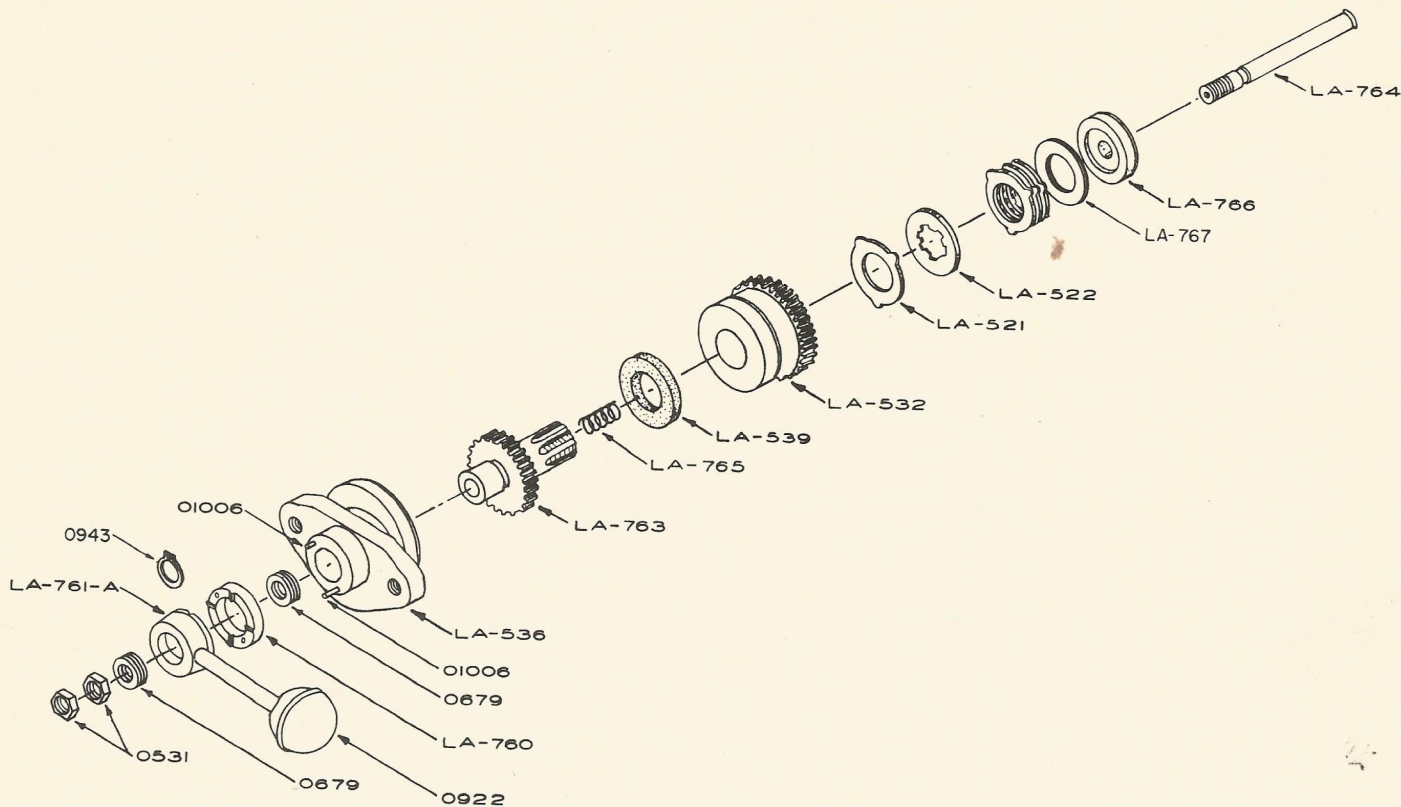
HO-3



PART NO.	NO. REQ'D	NAME OF PART	SHIP.WT.	
			LBS.	OZ.
LA-157	2	Washers		4
LA-169	1	Collar w/#0314.		6
LA-239	1	Collar.		4
LA-487	8	Pin		3
LA-512	1	Washer.		3
LA-996	1	Collar w/2-0308		5
LA-1202	1	End Guard	3	
LA-1203	1	Gear Box Lever Left- Assembly consists of LA-1203, LA-1207, LA-1208, LA-1209, LA-1210, LA-1212, 0305,0309,0616,0620	3	
IA-1204	1	Gear Box Lever Right- Assembly consists of LA-1204, LA-1207, LA-1208, LA-1209, LA-1210, LA-1212, 0305,0309,0616,0620	3	
LA-1265	1	Thread Chart.		3
LA-1207	2	Plunger		3
LA-1208	2	Spring.		3
LA-1209	2	Bushing		3
LA-1210	2	Knob.		4
LA-1211	2	Key-See IA-1214		3
LA-1212	2	Pin		3
LA-1213	2	40T Gear with 0783.		8
LA-1214	2	22T Gear with IA-1211		6
LA-1215-1	1	Shaft w/IA-1216	14	
LA-1216	2	Washer.		3
LA-1217	1	Shaft w/IA-1216	1	
LA-1219-A	1	Gear Assembly-A		8
LA-1220-A	3	Gear Assembly-B		8
LA-1222-1	1	Shaft	1	
LA-1223	1	16T Gear.		4
LA-1224	1	Spacer.		3
LA-1272	3	Washer		3

PART NO.	NO. REQ'D	NAME OF PART	SHIP.WT.	
			LBS.	OZ.
IA-1225	1	16T Gear.		4
IA-1226	1	18T Gear.		6
IA-1227	1	20T Gear.		6
IA-1228	1	22T Gear.		6
IA-1229	1	23T Gear.		6
LA-1230	2	24T Gear.		6
IA-1231	1	26T Gear.		6
LA-1232	1	28T Gear.		6
IA-1233	1	24T Gear.		6
LA-1234	1	Key		3
LA-1241	1	Gear Box Assembly consists of LA-1241, LA-1206,2-03,4-0584, 0617,2-0621,2-0790, 0968, & 0800.	12	
	03	2 Hex.Hd. Cap Screw 1/4- 20 x 7/8"		3
	021	3 Hex.Hd. Cap Screw 5/16- 18 x 1-1/4"		3
	0305	3 Set Screw 10-32 x 3/16"		3
	0308	2 Set Screw 1/4 x 3/16"		3
	0309	2 Set Screw 1/4-20 x 1/4"		3
	0314	1 Set Screw 5/16-18x5/16"		3
	0518	1 Hex. Nut 3/8-24		3
	0519	1 Hex.Nut 1/2-20.		3
	0584	4 Drive Screws 2 x 3/16"		3
	0616	2 Oilless Bearing		3
	0617	1 Oilless Bearing		3
	0621	2 Oilless Bearing		3
	0640	2 Woodruff Key 1/8 x 1/2"		3
	0643	1 Woodruff Key 5/32 x 5/8		3
	0726	1 Hex. Nut 7/16-20.		3
	0702	1 Grooved Pin		3
	0783	2 Oilless Bearing		3
	0790	2 Oilless Bearing		3
	0800	1 Oilless Bearing		3
	0801	1 Oilless Bearing		4
	0802	3 Oilless Bearing		4
	0708	1 Pin		

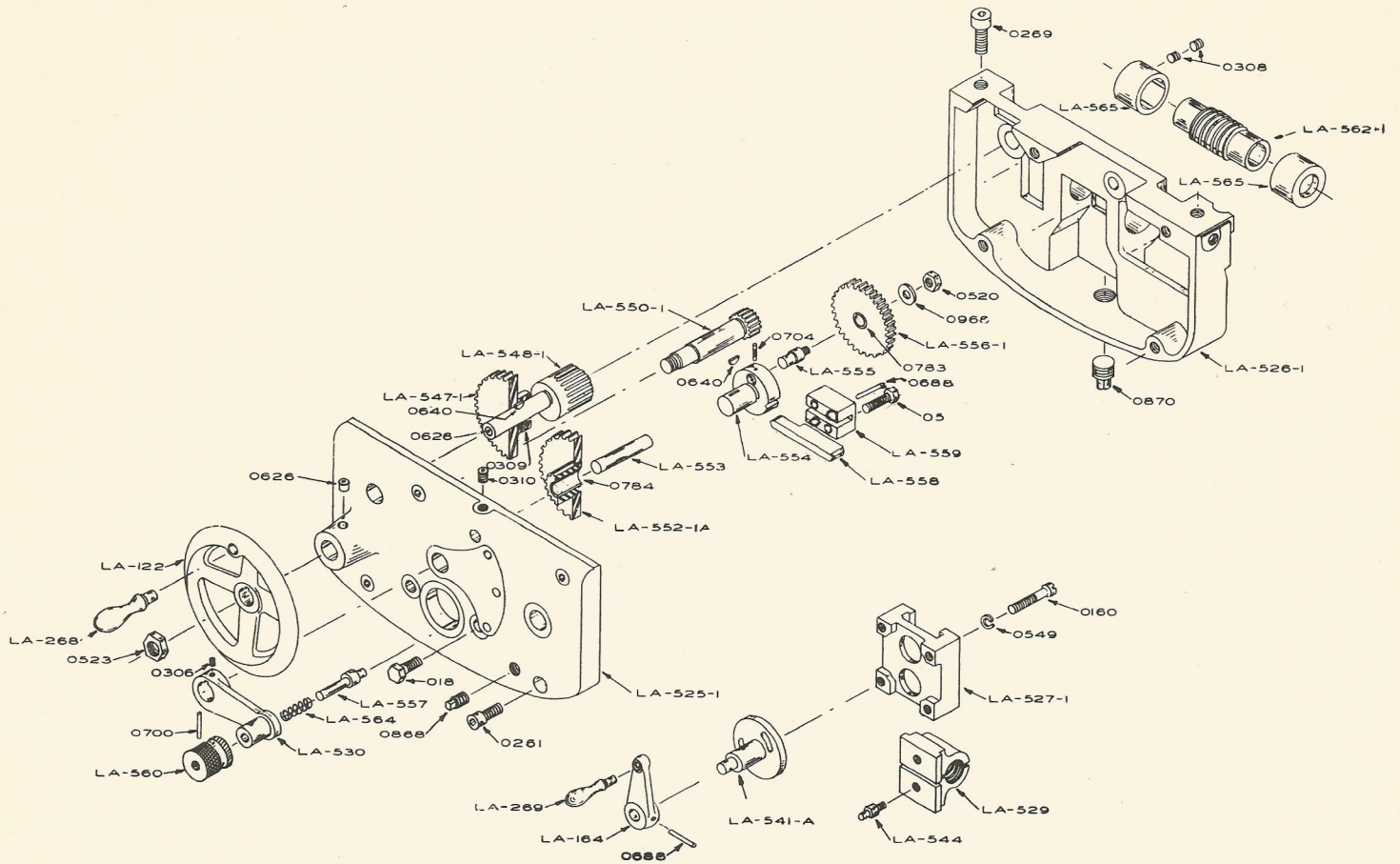
1815, 1816, 1820, 1821, 1875, 1835, 1835-2,
1840, 1840-2, 1915, 1917, 1920, 1922, 1955,
1957, 1935, 1935-2, 1940, 1940-2



PART NO.	NO. REQ'D	NAME OF PART	SHIPPING WEIGHT	
			LBS.	OZS.
LA-521	3	Clutch Disc (external Tooth) . . .		5
LA-522	4	Clutch Disc (internal Tooth) . . .		5
LA-532	1	Worm Wheel	2	
LA-536	1	Bearing Bracket	2	
LA-539	1	Thrust Ring		3
LA-760	1	Friction Washer		6
LA-761-A	1	Lever and Hub Assembly		6
LA-763	1	Sleeve Gear		12
LA-764	1	Clutch Shaft		5
LA-765	1	Spring		2
LA-766	1	Clutch Retainer		6
LA-767	2	Belleville Spring		
0531	2	Jam Nut 3/8-24		3
0679	2	Thrust Bearing		2
0922	1	Plastic Knob		3
0943	1	Tru-Arc Ring		3
01006	2	Rollpin 1/8 x 5/8"		3

LA-55-1 AUTOMATIC APRON ASSEMBLY

HP-1



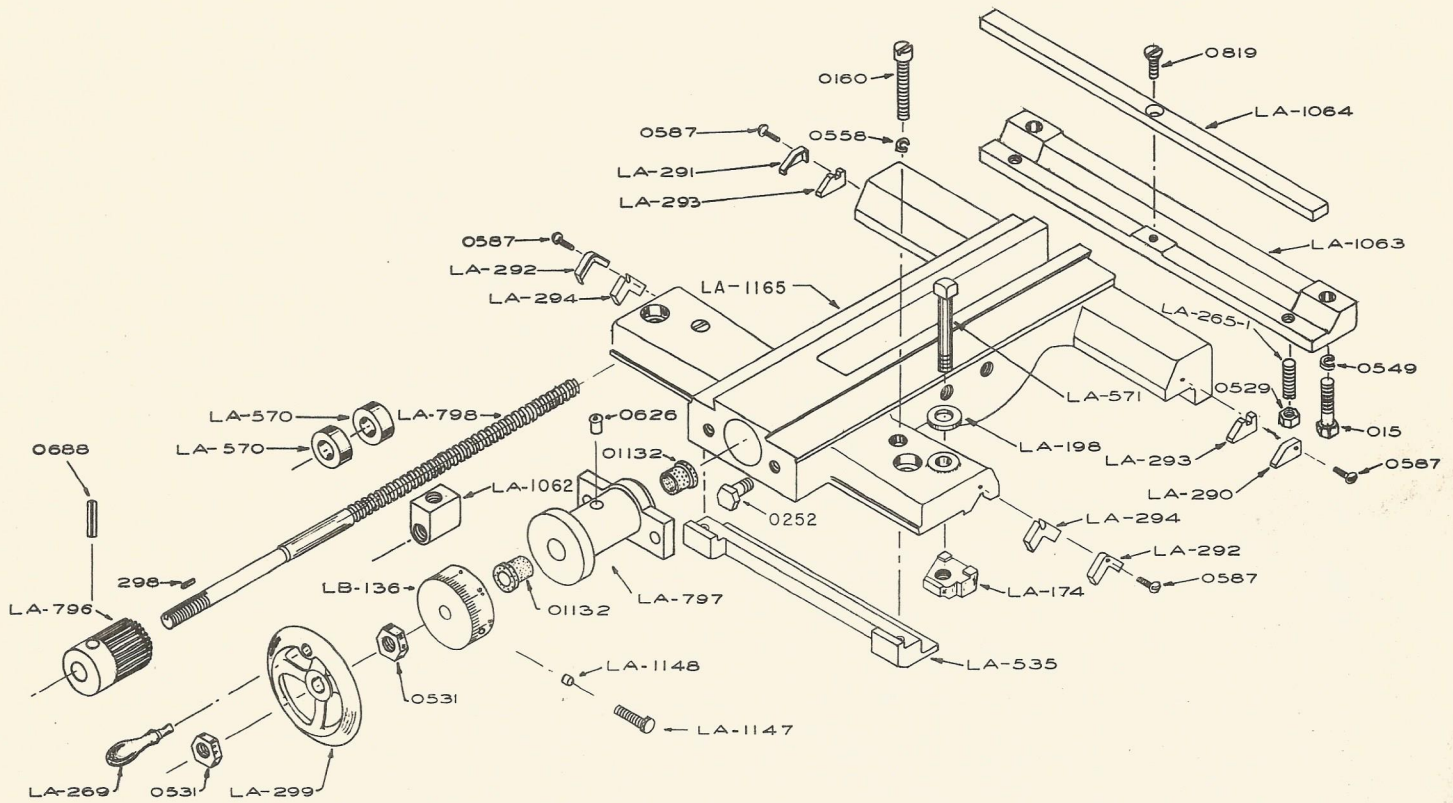
PART NO.	NO. REQ'D	NAME OF PART	SHIP. WT.	
			LBS.	OZ.
LA-122	1	Apron Handwheel with LA-268.	3	
LA-164	1	Cam Shaft Lever.		8
LA-268	1	Handle		6
LA-269	1	Handle		4
LA-525-1	1	Apron Front & Back Assembly consists of: 525-1, 526-1, 2 of #0616, 0261, 0868 & 0870	15	
LA-527-1	1	Half Nut Plate	1	
LA-529	1 pr.	Half Nut with 544.	1	
LA-530	1	Shift Lever.	1	
LA-541-A	1	Cam Shaft & Cam.		4
LA-544	2	Half Nut Pin		3
LA-547-1	1	Gear with 0309	1	
LA-548-1	1	Gear w/0626.	1	
LA-550-1	1	Gear		8
LA-552-1	1	Double Gear w/0784		
LA-553	1	Shaft.		3
LA-544	1	Eccentric Assembly with LA-555.	1	
LA-555	1	Stud		2
LA-556-1	1	Gear with 0783		8
LA-557	1	Plunger.		3
LA-558	1	Lock		6
LA-559	1	Lock Guide		3
LA-560	1	Knob		4
LA-562-1	1	Worm with LA-184	1	
LA-564	1	Spring		3

PART NO.	NO. REQ'D	NAME OF PART	SHIP. WT.	
			LBS.	OZ.
LA-565	2	Bearing.		6
05	2	Hex.Hd.Cap Screw 1/4-20x1.		3
018	2	Hex.Hd. Cap Screw 5/16-18x3/4.		3
0160	4	Fillister Head Cap Screw 1/4-20 x 1-1/2		3
0261	4	Socket Head Cap Screw 5/16-18 x 7/8.		3
0269	2	Socket Head Cap Screw 3/8-16 x 1		3
0306	1	Socket Set Screw 10-32 x 1/4.		3
0308	4	Socket Set Screw 1/4-20 x 3/16.		3
0309	1	Socket Set Screw 1/4-20 x 1/4		3
0310	1	Socket Set Screw 1/4-20 x 3/8		3
0520	1	Jam Nut 1/4-20		3
0523	1	Jam Nut 7/16-14.		3
0549	4	Lockwasher 1/4 x 7/16.		3
0626	2	Ball Oiler		3
0640	2	Woodruff Key 1/8 x 1/2		3
0688	2	Pin 1/8 x 1.		3
0700	1	Pin 3/32 x 1		3
0704	1	Pin 3/32 x 1/2		3
0706	2	Pin 1/8 x 5/8.		3
0783	1	Oilless Bearing.		3
0784	1	Oilless Bearing.		3
0868	1	Pipe Plug 1/8.		3
0870	1	Pipe Plug 3/8.		3
0968	1	Washer		3

1815, 1816, 1820, 1821, 1875, 1835, 1835-2, 1840, 1840-2, 1915, 1917, 1920, 1922, 1955, 1957, 1940, 1940-2, 1935, 1935-2,

LA-1060-1 SADDLE ASSEMBLY

IP-1



PART NUMBER	NO. REQ'D.	DESCRIPTION	SHIPPING WEIGHT	
			LBS.	OZS.
LA-174	1	Saddle Lock Nut		5
LA-198	1	Washer		3
LA-265-1	2	Gib Screw		4
LA-269	1	Handle		4
LA-290	1	Wiper - Rear, Right		3
LA-291	1	Wiper - Rear, Left		3
LA-292	2	Wiper - Front		3
LA-293	2	Felt - Rear		3
LA-294	2	Felt - Front		3
LA-298	1	Key	2	3
LA-299	1	Handwheel		7
LA-535	1	Front Gib	2	
LA-570	2	Felt Washers		3
LA-571	1	Saddle Lock Screw		5
LA-796	1	Cross Feed Idler Gear		4
LA-797	1	Cross Feed Bracket	1	8
LA-798	1	Cross Feed Screw	1	
LA-994	2	Gib Screw		3
LA-1062	1	Cross Feed Nut		4

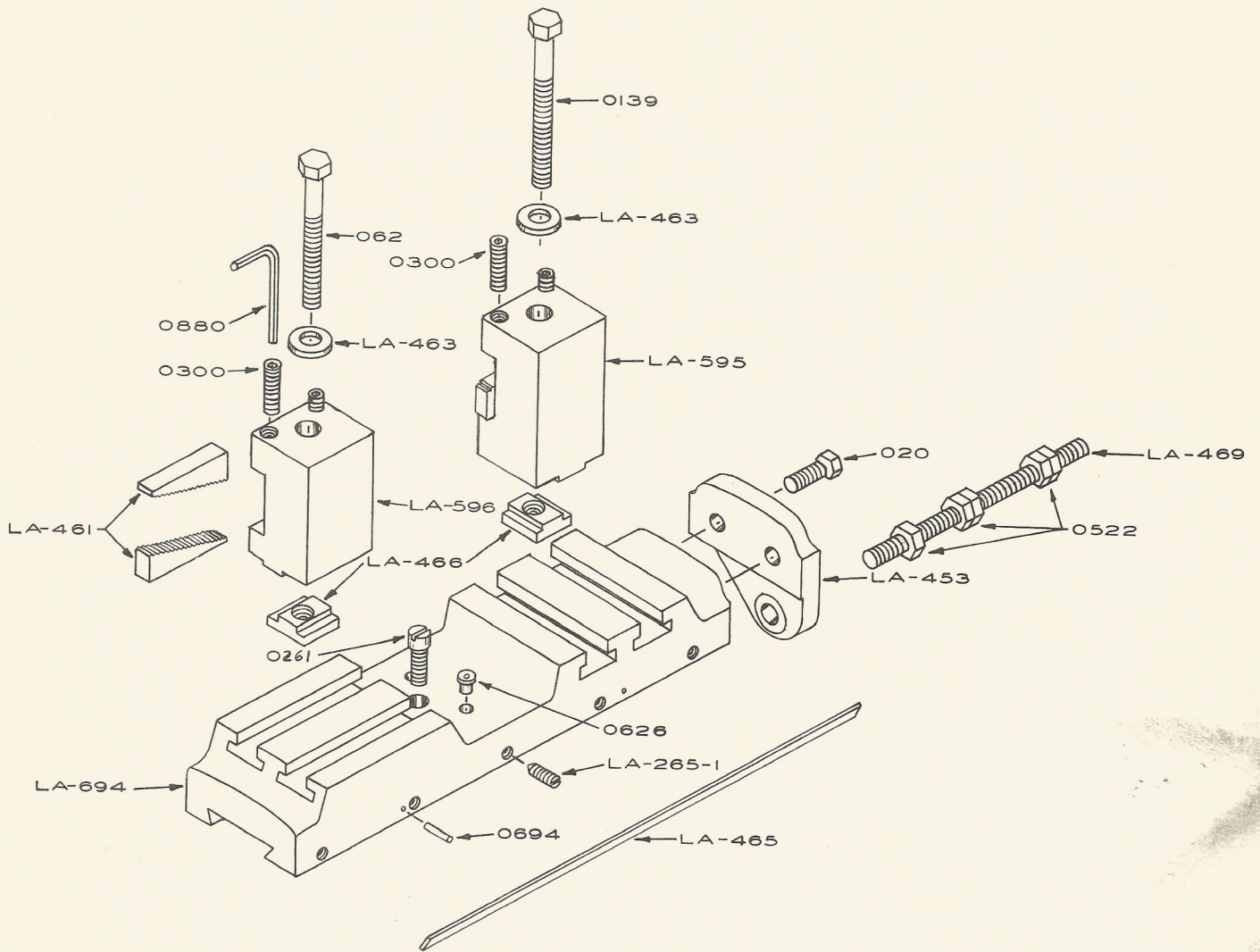
PART NUMBER	NO. REQ'D.	DESCRIPTION	SHIPPING WEIGHT	
			LBS.	OZS.
LA-1063	1	Rear Gib	3	
LA-1064	1	Gib Bar	2	
LA-1147	1	Locking Screw		3
LA-1148	1	Slug		3
LA-1165	1	Saddle	21	
LB-136	1	Dial		4
O15	2	Hex. Hd. Cap Screw 1/4-20x1-1/4		3
O160	2	Fill Hd. Screw 1/4-20 x 1-1/2		3
O252	2	Soc. Hd. Cap Screw 1/4-20x1-1/2		3
O529	2	Jam Nut 1/4-28		3
O531	2	Jam Nut 3/8-24		3
O549	2	Lockwasher 1/4 x 7/16		3
O558	2	Lockwasher 1/4"		3
O587	4	Self Tapping Screw 6-32 x 1/2		3
O626	1	Ball Oil Cup		3
O688	1	Grooved Pin 1/8 x 1 x .133		3
O819	1	Flat Head Screw 10-32 x 5/8		3
O1132	2	Oilless Bushing		3

NOTE: ON TURRET LATHE MODELS, SUBSTITUTE LA-297 HANDWHEEL WITH 0644 REVOLVING HANDLE.
3-58-1M-LP

1915, 1917, 1920, 1922,
1935, 1940, 1955, 1957

LA-29-1 DOUBLE TOOL POST CROSS SLIDE

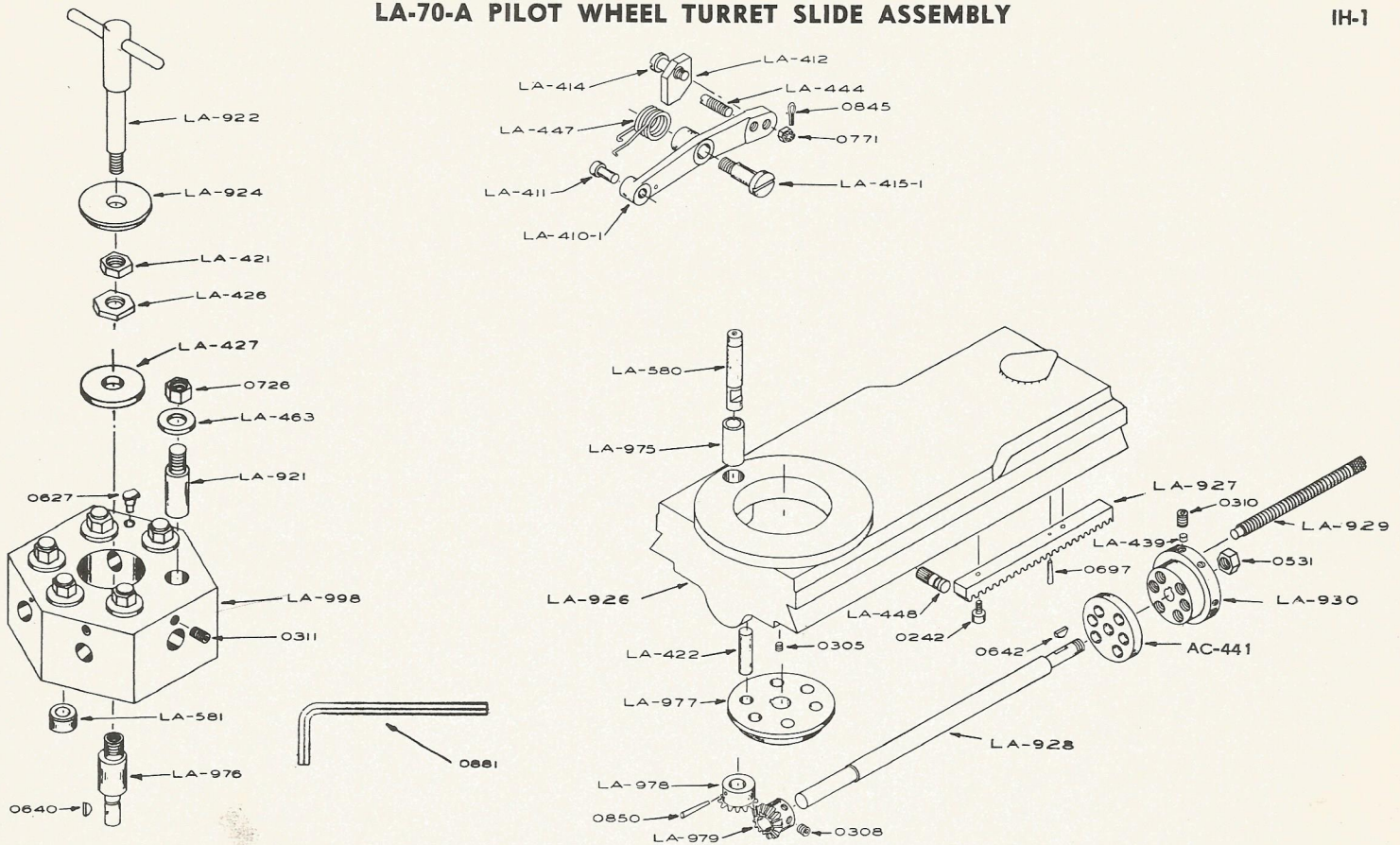
JV-1



PART NUMBER	NO. REQ'D.	DESCRIPTION	SHIPPING WEIGHT	
			LBS.	OZS.
LA-265-1	5	Set Screw 1/4-28 x 1"		3
LA-453	1	Stop Bracket	2	
LA-465	1	Gib		3
LA-469	1	Adjusting Screw		8
LA-694	1	Cross Slide	15	
020	2	Hex Cap Screw		3
0261	1	Socket Head Cap Screw 5/16-18 x 7/8"		3
0522	5	Jam Nut 3/8-16		3
0626	2	Oiler		3
0694	2	Drive Pin 1/8 x 3/4		3
0880	1	Wrench		3
LA-595-A	1	Rear Tool Post Complete, Consisting of:	4	
	1	LA-595 Rear Tool Post	3	
	1	LA-466 Tee Nut 7/16-14.		8
	2	LA-461 Wedge	3	
	1	LA-463 Washer 29/64 x 7/8"		6
	1	0139 Hex. Cap Screw 7/16-14 x 4-1/4"		6
	2	0300 Socket Set Screw 5/16-18 x 1-1/4"		3
LA-596-A	1	Front Tool Post Complete, Consisting of:	4	
	1	LA-596 Front Tool Post	3	
	1	LA-466 Tee Nut 7/16-14.		8
	2	LA-461 Wedge	3	
	1	LA-463 Washer 29/64 x 7/8"		6
	1	062 Hex. Cap Screw 7/16-14 x 3-3/4"		6
	2	0300 Socket Set Screw 5/16-18 x 1-1/4"		3

LA-70-A PILOT WHEEL TURRET SLIDE ASSEMBLY

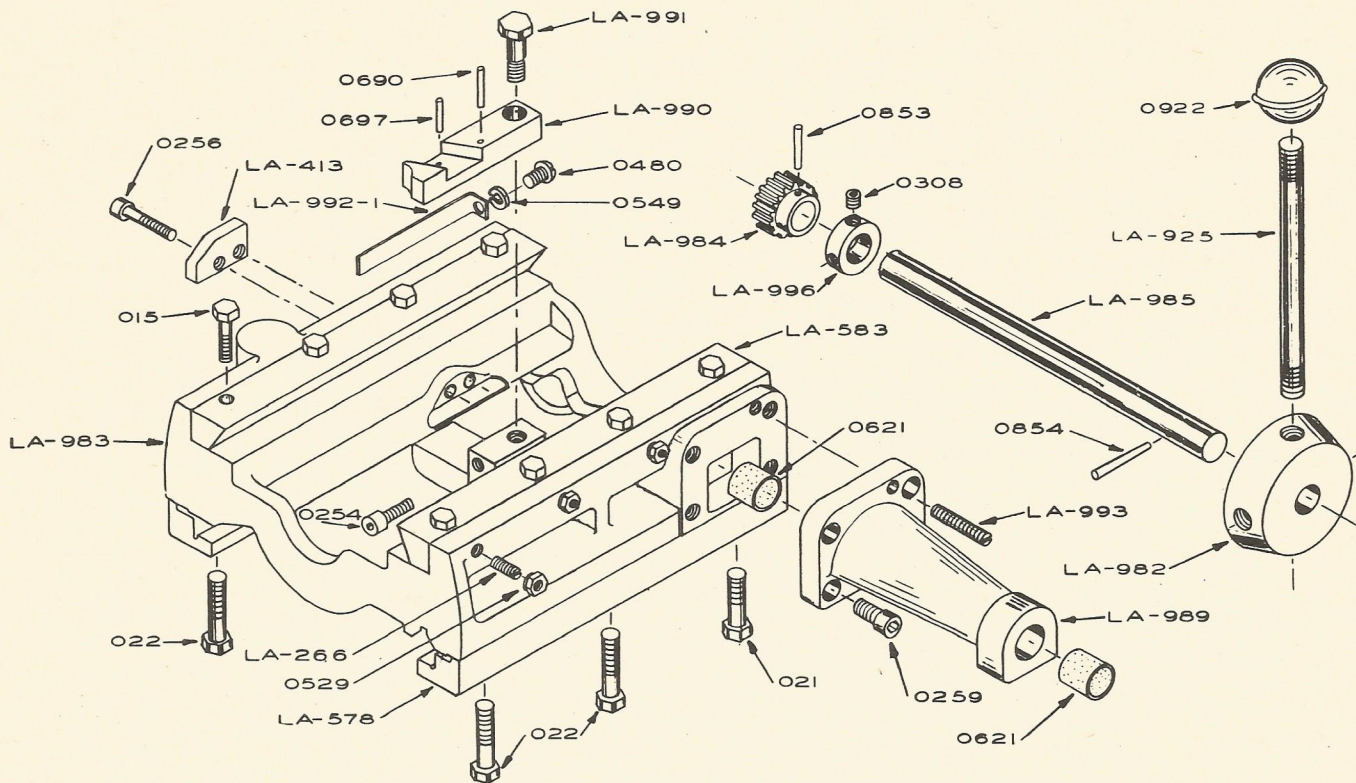
IH-1



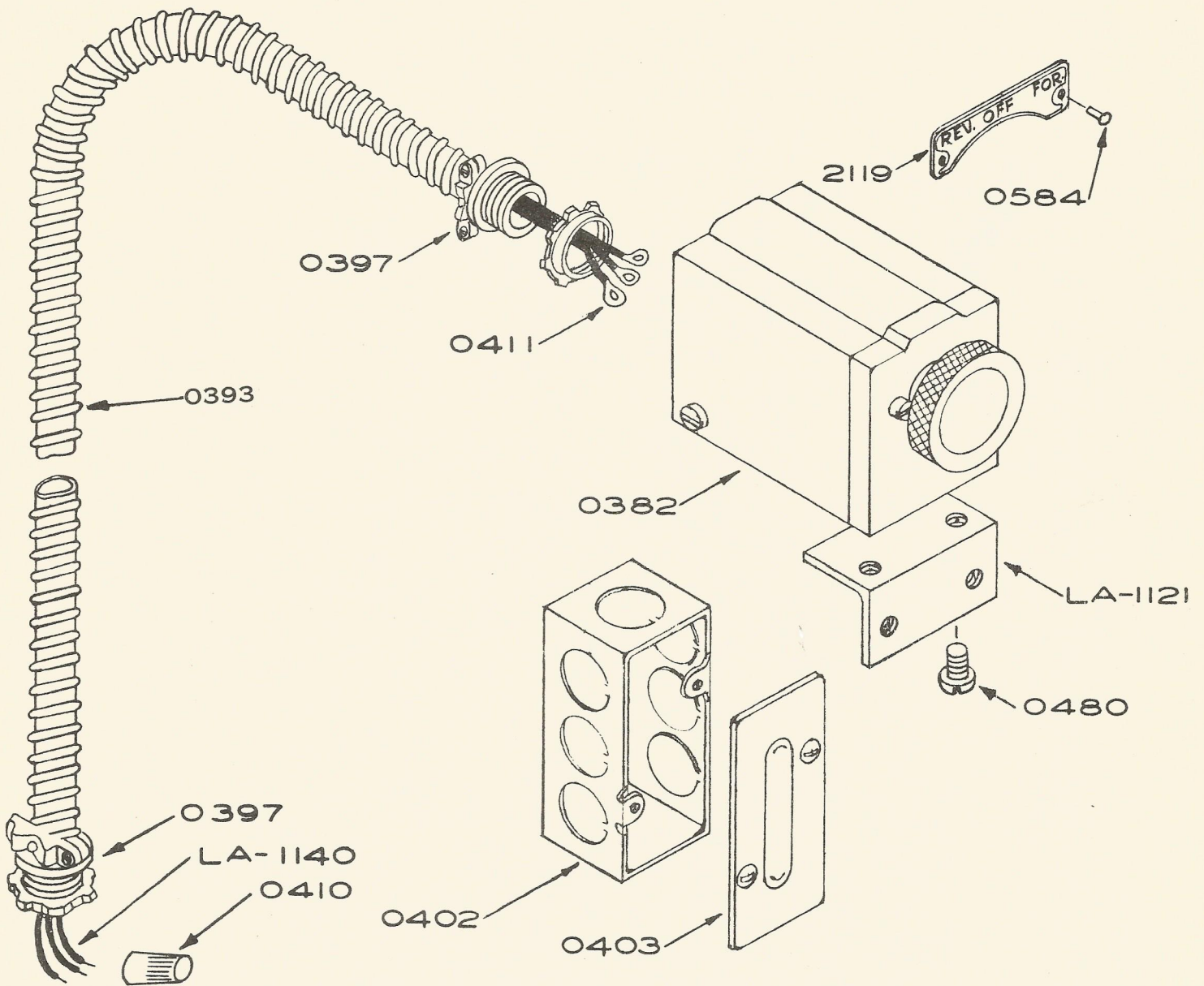
PART NO.	NO. REQ'D	NAME OF PART	SHIP. WT.		PART NO.	NO. REQ'D	NAME OF PART	SHIP. WT.	
			LBS.	OZ.				LBS.	OZ.
AC-441	1	Thrust Plate.....	1		LA-975	1	Bushing.....		3
LA-410-1	1	Trip Arm w/411.....	1		LA-976	1	King Pin.....	3	
LA-411	1	Trip Pin.....		6	LA-977	1	Disc.....		2
LA-412	1	Cam.....		6	LA-978-A	1	Gear with 0850....		8
LA-414-1	1	Cam Pin.....		3	LA-979-A	1	Gear with 2 of 0308.....		8
LA-415-1	1	Shoulder Pin.....		3	LA-998	1	Turret Block with 0627, 6 of 0311...	23	
LA-421	1	Nut.....		3	0242	2	Socket Cap Screw 10-32 x 1/2".....		3
LA-422	6	Disc Pin.....		3	0305	2	Socket Set Screw 10-32 x 3/16".....		3
LA-426	1	Nut.....		3	0308	2	Socket Set Screw 1/4-20 x 3/16"....		3
LA-427	1	Washer.....		4	0310	6	Socket Set Screw 1/4-20 x 3/8".....		3
LA-439	6	Slug.....		3	0311	6	Socket Set Screw 1/4-20 x 1/2".....		3
LA-444-A	1	Stop Pin w/0771, 0845.....		3	0531	1	Jam Nut 3/8-24....		3
				5	0627	1	Oil Cup.....		3
LA-447	1	Spring.....		3	0640	1	Woodruff Key.....		3
LA-448	1	Spring Pin.....		6	0642	1	Woodruff Key.....		3
LA-463	6	Washer, See LA- 921-A.....		3	0697	1	Groove Pin 3/16 x 3/4".....		3
LA-580	1	Plunger.....		3	0726	6	Hex. Nut 7/16-20..		3
LA-581	6	Bushing.....		3	0771	2	Cast. Nut 1/4-20..		3
LA-921-A	6	Tool Clamps with LA-463 and 0726....		4	0845	2	Cotter Pin.....		3
LA-922	1	Locking Post and Handle.....		4	0850	1	Taper Pin #0 x 1..		3
LA-924	1	Cover.....		3	0881	1	Wrench.....		4
LA-926	1	Slide.....	18						
LA-927	1	Rack.....		12					
LA-928	1	Shaft.....		8					
LA-929	6	Stop Screw.....		3					
LA-930	1	Screw Plate.....	1						

1835-2, 1830-2, 1840-2, 1850-2, 1935-2, 1940-2, 2535-2,
1845-2, 1945-2, 2535-2-V

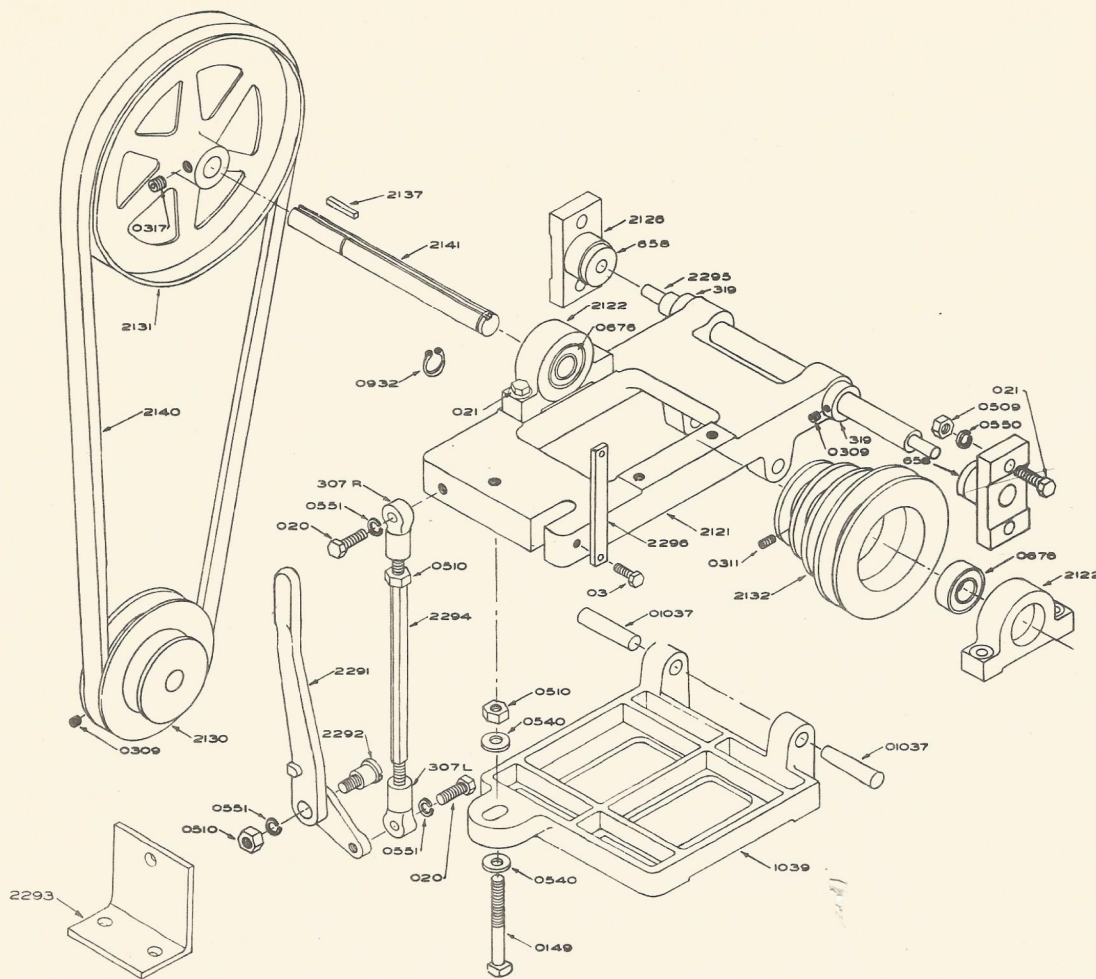
LA-70-B PILOT WHEEL TURRET BASE ASSEMBLY



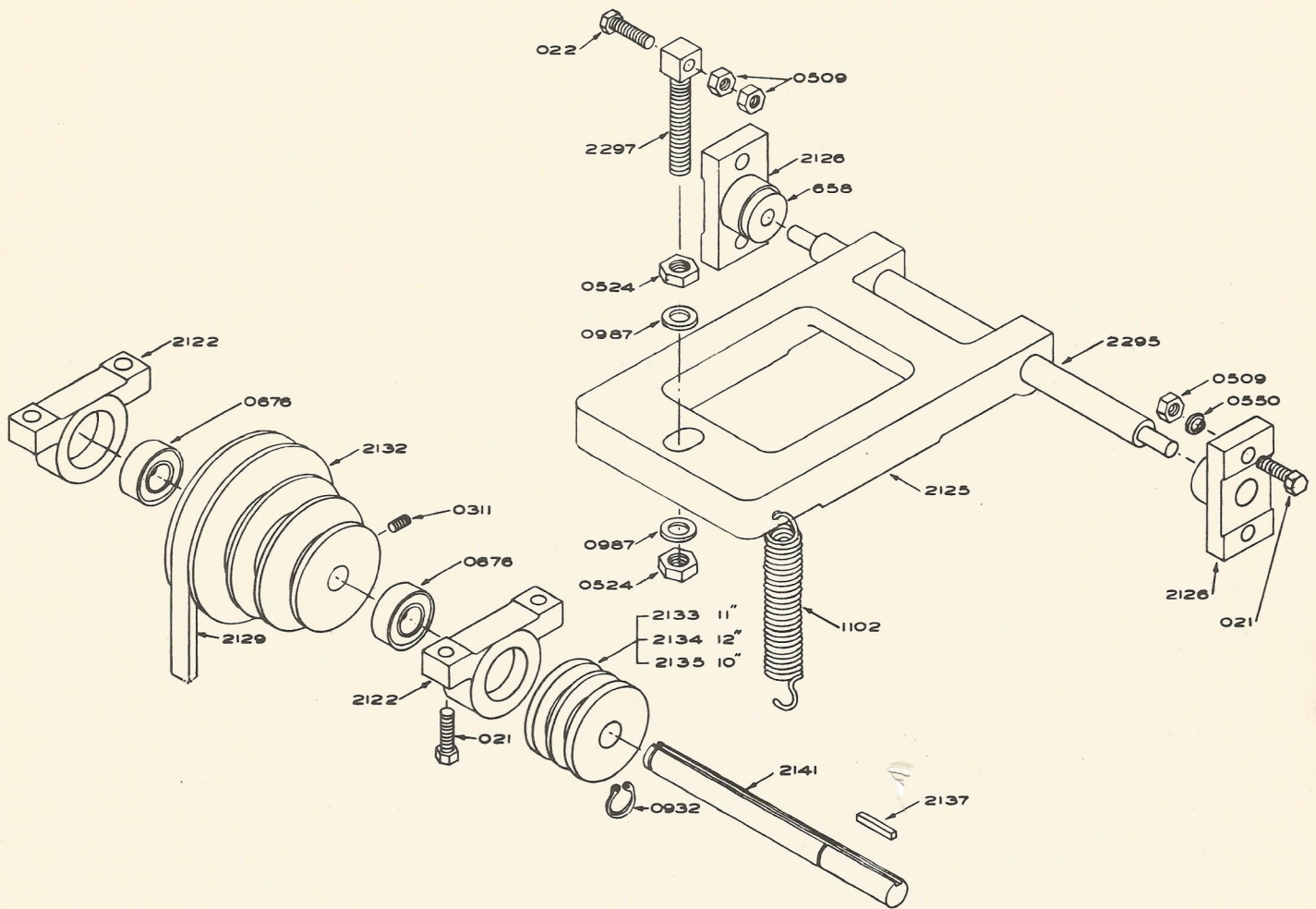
PART NO.	NO. REQ'D	NAME OF PART	SHIPPING WEIGHT	
			LBS.	OZS.
LA-266	3	Gib Screw (Short)		3
LA-413	1	Cam		3
LA-578	2	Base Gib	6	
LA-583	2	Slide Gib	3	
LA-925	4	Spoke		5
LA-982	1	Hub with 0854		6
LA-983	1	Base w/2 of 583, 8 of 015 & 1 of 0621	27	
LA-984	1	Pinion Gear w/0853		6
LA-985	1	Shaft		15
LA-988	4	Knob		4
LA-989	1	Bracket w/0621	3	
LA-990	1	Stop Arm w/2 of 0697		6
LA-991	1	Pin		3
LA-992-1	1	Spring		3
LA-993	1	Gib Screw (1/4-20 x 1-7/16")		3
LA-996	1	Collar w/2 of 0309		5
015	8	Hex. Hd. Cap Screw 1/4-20 x 1-1/4"		3
021	1	Hex. Hd. Cap Screw 5/16-18 x 1-1/4"		3
022	6	Hex. Hd. Cap Screw 5/16-18 x 1-1/2"		3
0254	1	Socket Head Cap Screw 1/4-20 x 7/8"		3
0256	2	Socket Head Cap Screw 1/4-20 x 1-1/4"		3
0259	4	Socket Head Cap Screw 5/16-18 x 5/8"		3
0308	2	Socket Set Screw 1/4-20 x 3/16"		3
0480	1	Rd. Hd. Screw 1/4-20 x 3/8"		3
0529	4	Jam Nut 1/4 x 28		3
0549	1	Lockwasher 1/4 x 7/16"		3
0621	2	Oilite Bushing		3
0690	1	Pin 3/16 x 1"		3
0697	1	Pin 3/16 x 3/4"		3
0853	1	Taper Pin #2 x 1"		3
0854	1	Taper Pin #2 x 1-1/2"		3
0922	4	Knob		3



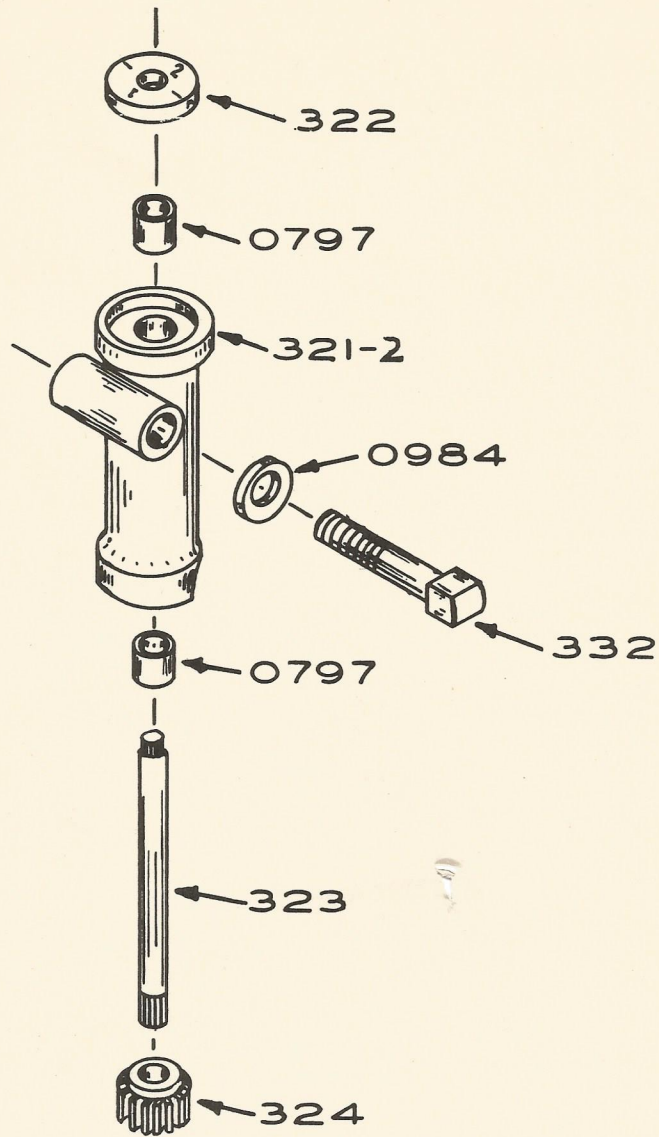
PART NUMBER	NO. REQ'D.	DESCRIPTION	SHIPPING WEIGHT	
			LBS.	OZS.
LA-1121	1	Switch Bracket	1	
LA-1140	6	Insulated Wire	1	
0382	1	Drum Reversing Switch	3	
0393	2	Flexible Conduit - 27 inches long	2	
0396	1	Connector 90°		4
0397	3	Connector		2
0402	1	Electrical Conduit Box	1	8
0403	1	Conduit Box Cover		8
0410	3	Wire Nut		5
0411	6	Wire Connector Terminal Lug		3
0480	4	Round Head Screw 1/4-20 x 3/8		6
0584	2	Drive Screw		3
2119	1	Switch Plate		8



PART NO.	NO. REQ'D	NAME OF PART	SHIP. WT.		PART NO.	NO. REQ'D	NAME OF PART	SHIP. WT.	
			LBS.	OZ.				LBS.	OZ.
LA-307 R	1	Head, Right			020	2	Hex. Hd. Cap Screw 5/16-18 x 1"		
LA-307 L	1	Head, Left			021	8	Hex. Hd. Cap Screw 5/16-18 x 1-1/4"	3	
LA-319	2	Collar with 0309 . .		5	0149	1	Stud, 3/8-16 x 3-1/2"	3	
LA-658	2	Rubber Bushing . .			0309	3	Socket Set Screw 1/4-20 x 1/4"	3	
LA-1039	1	Motor Bracket . . .	9		0311		Socket Set Screw 1/4-20 x 1/2"	3	
2121	1	Countershaft Bracket	16		0317	1	Socket Set Screw 3/8-16 x 3/8"	3	
2122	2	Pillow Block	1	8	0509	4	Hex. Nut 5/16-18 . .		
2126	2	Rod Bracket	1	8	0510	3	Hex. Nut 3/8-16 . .	3	
2130	1	Motor Pulley w/0309	1	8	0540	2	Washer 3/8 x 7/8 x 1/16"	3	
2131	1	Countershaft Pulley w/0317 . . .	2		0550	4	Lockwasher 5/16 x 9/16"	3	
2132	1	Pulley 4-step Vee w/0311	7		0551	2	Lockwasher 3/8 x 1/2"	3	
2137	2	Key		2	0676	2	Ball Bearing 77R12X1C-P3	1	
2140	1	Vee Belt		12	0932	2	Tru-Arc Ring	6	
2141	1	Drive Shaft	2	8	01037	2	Rollpin 1/2 x 2-1/4"	3	
2291	1	Lever							
2292	1	Stud Pin							
2293	1	Angle Bracket . . .							
2294	1	Stud							
2295	1	Hinge Rod							
2296	1	Link							
03	1	Hex. Hd. Cap Screw 1/4-20 x 3/4" . . .							



PART NO.	NO. REQ'D	NAME OF PART	SHIP. WT.	
			LBS.	OZ.
LA-658	2	Rubber Bushing.		
LA-1102	1	Spring.		8
2122	2	Pillow Block.	1	8
2125	1	Jackshaft Bracket	12	
2126	2	Rod Bracket	1	
2129	1	Vee Belt.		8
2132	1	Pulley 4-step Vee w/0311.	7	
2133	1	Jackshaft Pulley w/0311 (11" Lathe)	2	4
2134	1	Jackshaft Pulley w/0311 (12" Lathe)	2	12
2135	1	Jackshaft Pulley w/0311 (10" Lathe)	2	
2137	2	Key		2
2141	1	Drive Shaft	2	8
2297	1	Hanger.		
021	9	Hex. Hd. Cap Screw 5/16-18 x 1-1/4"		3
0311	1	Socket Set Screw 1/4-20 x 1/2"		3
0509	6	Hex. Nut 5/16-18.		
0524	2	Jam nut 1/2-13.		3
0550	4	Lockwasher.		3
0676	2	Ball Bearing 77R12X1C-P3.	1	
0932	2	Tru-Arc Ring.		6
0987	2	Washer 33/64 x 7/8 x 1/16"		3
2295	1	Hinge Rod		

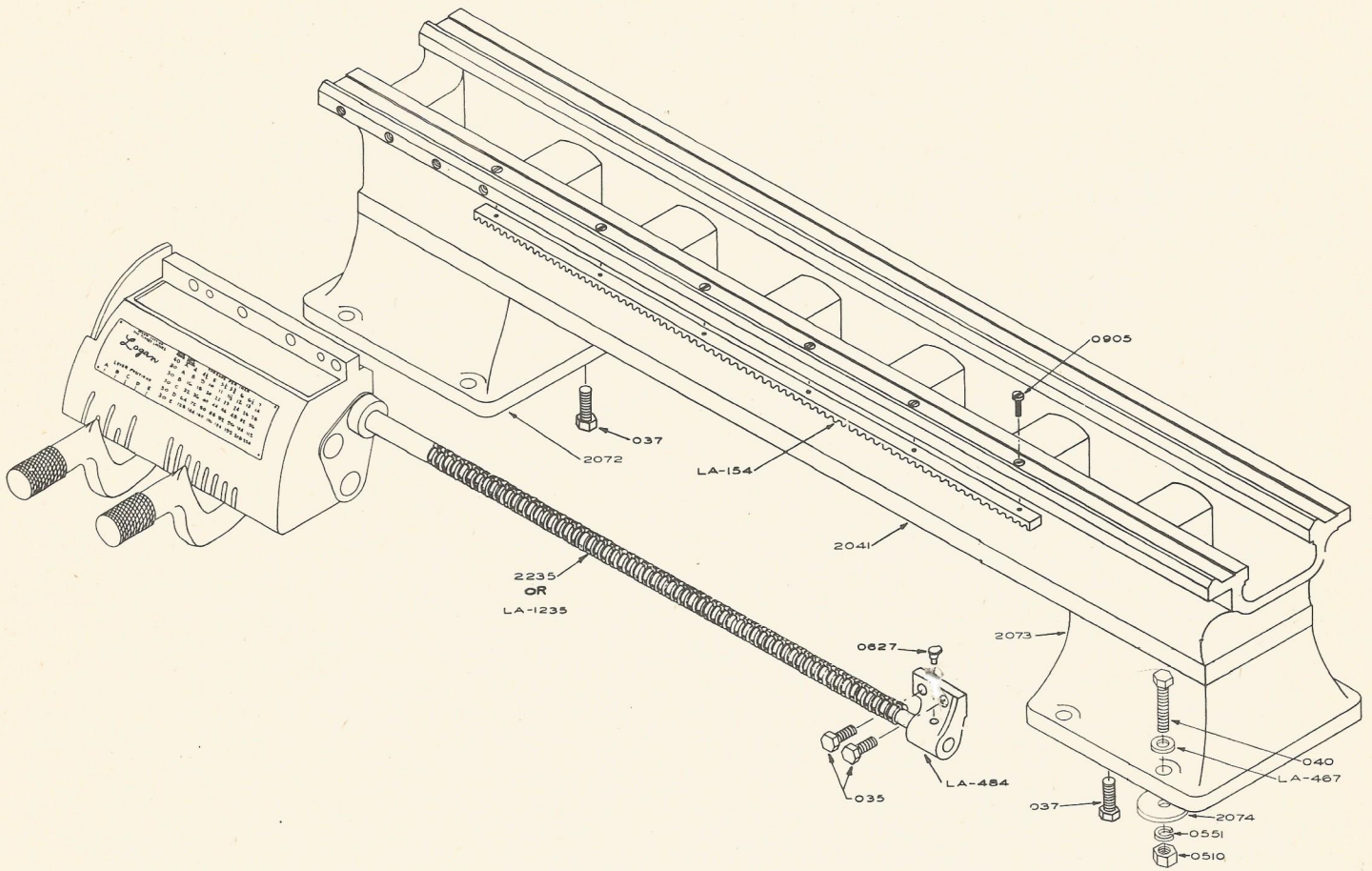


PART NO.	NO. REQ'D	NAME OF PART	SHIP. WT.	
			LBS.	OZ.
LA-12-2	1	Threading Dial Assembly Complete.	1	8
LA-321-1	1	Housing		14
LA-322	1	Dial.		3
LA-323	1	Shaft		6
LA-324	1	Gear.		3
LA-332	1	Screw		4
0797	2	Oilless Bearing		3
0984	1	Washer.		2

1845, 1845-2, 1825, 1945, 1945-2, 1925, 1805, 1806, 1810, 1811, 1815, 1820, 1816, 1821, 1875, 1840, 1840-2, 1850, 1850-2, 1835, 1835-2, 1915, 1917, 1920, 1922, 1955, 1935, 1935-2, 1940, 1940-2 1957

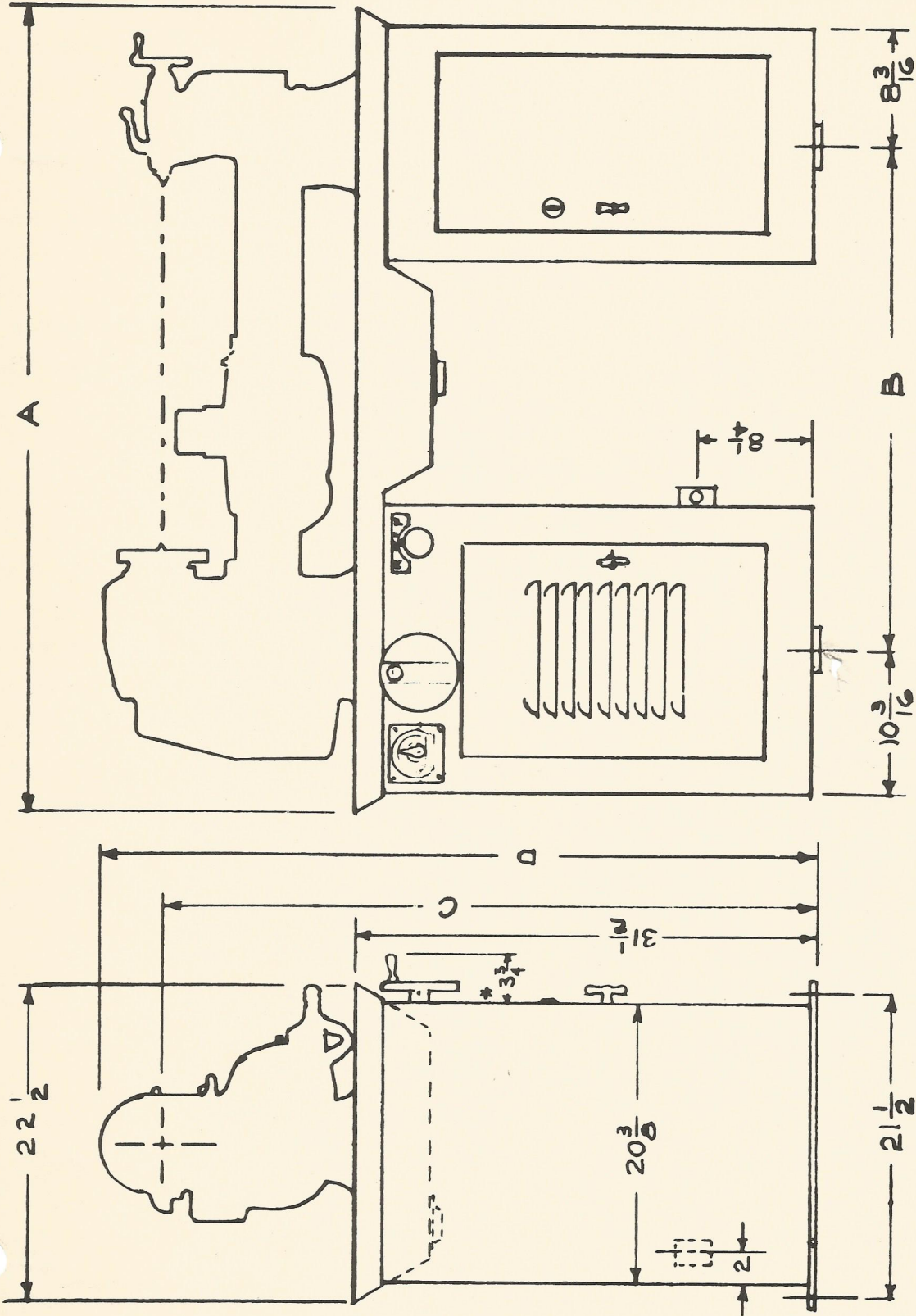
2069 BED ASSEMBLY

JA -1



PART NO.	NO. REQ'D	NAME OF PART	SHPG. WT.	
			LBS.	OZS.
LA-154	1	Rack.	3	
LA-467	8	Washer.	3	
LA-484	1	Lead Screw Bracket with 0627.	2	
LA-1235	1	Lead Screw (for 11" Models)	5	
2041	1	Bed	120	
2072	1	Bed Support, Left	14	
2073	1	Bed Support, Right.	10	
2074	8	Washer.	3	
2235	1	Lead Screw (for 12" Models)	5	
035	2	Hex. Head Cap Screw 3/8-16 x 7/8"		3
037	8	Hex. Head Cap Screw 3/8-16 x 1-1/4"		3
040	8	Hex. Head Cap Screw 3/8-16 x 2"		3
0510	8	Hex. Nut 3/8-16		3
0551	8	Lockwasher 3/8 x 1/2"		3
0627	1	Oil Cup 1/4"		3
0905	6	Machine Screw 10-32 x 9/16"		3

LA-861 SPACE DIAGRAM



MODEL NO.	A	B	C	D
1835	1875	1845	58 1/2	37 5/8
1825	1945	1945	58 1/2	37 5/8
1935	1937	1947	70 1/2	49 5/8
1957	2555	2555	58 1/2	37 5/8
2535	2537	2547	70 1/2	49 5/8
2525				
2527				

* Note:
Handle removed
for shipping.