

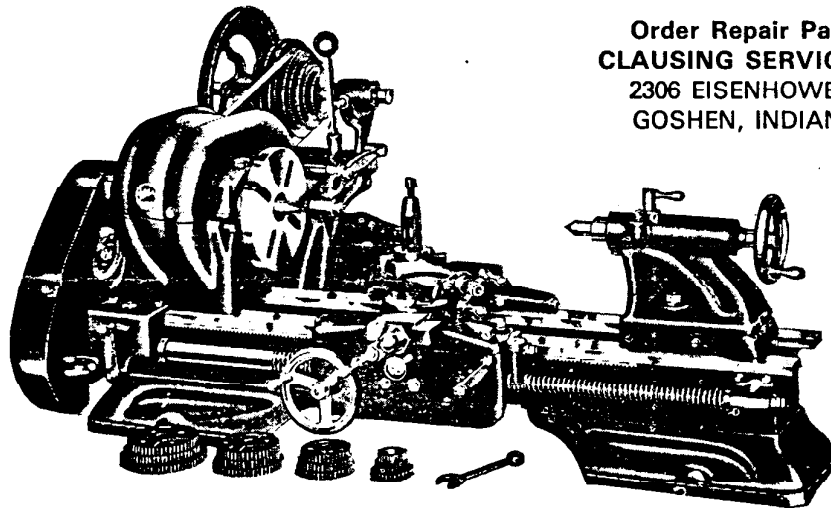
Atlas

PARTS LIST FOR 10"-F SERIES ATLAS LATHES

FOR ATLAS TIMKEN BEARING LATHES:
WITH HORIZONTAL COUNTERSHAFT—Cat. Nos.: TH36, TH42, TH48, TH54
WITH VERTICAL COUNTERSHAFT—Cat. Nos.: TV36, TV42, TV48, TV54

FOR ATLAS BABBITT BEARING LATHES:
WITH HORIZONTAL COUNTERSHAFT—Cat. Nos.: H36, H42, H48, H54
WITH VERTICAL COUNTERSHAFT—Cat. Nos.: V36, V42, V48, V54

FOR ATLAS QUICK-CHANGE LATHES:
Cat. Nos.: QC42 and QC54



Order Repair Parts From
CLAUSING SERVICE CENTER
2306 EISENHOWER DRIVE
GOSHEN, INDIANA 46526

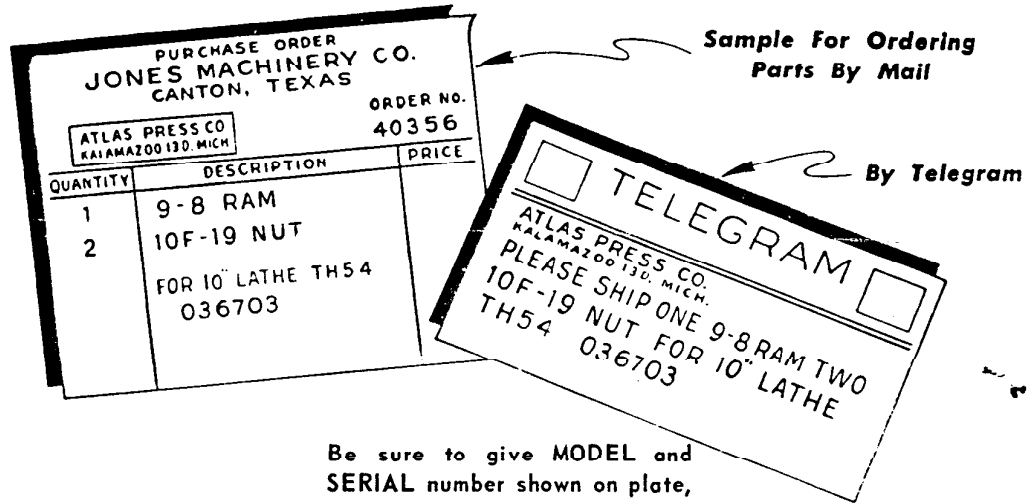
ATLAS PRESS CO. • Kalamazoo, Mich., U.S.A. 49007

SINCE 1911, MANUFACTURERS OF PRECISION MACHINE TOOLS

ORDERING INFORMATION

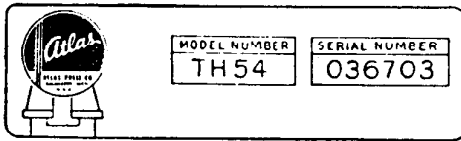
IMPORTANT: The following information must be furnished on all repair part orders.

1. Quantity Required
2. PART NUMBER and Name of Part
3. Model and Serial Number of Lathe



Be sure to give MODEL and SERIAL number shown on plate, located at tailstock end of lathe bed.

NOTE: On Lathes without this plate, MODEL and SERIAL Number is found on top of FRONT BED-WAY.



Parts shown without part numbers are standard parts and should be purchased locally.

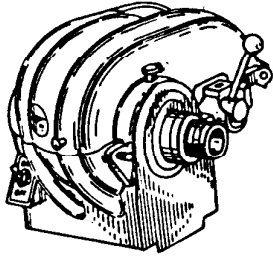
We reserve the right to make changes in design and specifications without notice.

INDEX FOR LATHE PARTS AND PRICES

	Page
Unit Assemblies	3
Babbitt Bearing Headstock	4
Timken Bearing Headstock	5
Carriage and Compound	6
Lead Screw and Feed Gears	7
Countershaft	8
Tailstock, Bed and Rack	9
Quick Changes	10 & 11

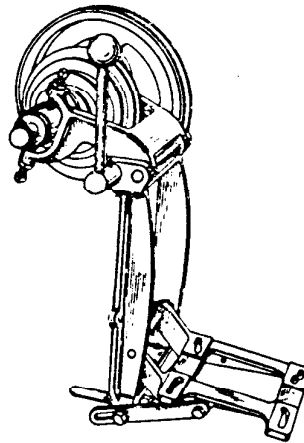
Utias 10" F-SERIES LATHE UNIT ASSEMBLIES

Downloaded from <http://www.tooltrip.com>

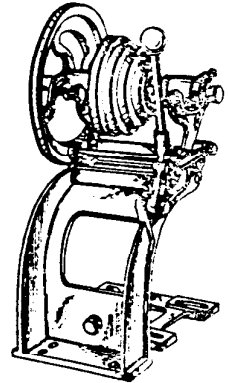


10A-2BXH TIMKEN BEARING HEADSTOCK ASSEMBLY
For Horizontal Countershaft Lathes

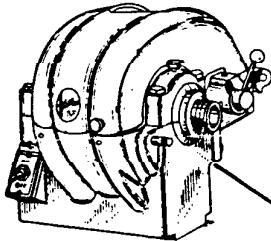
10A-2BXV TIMKEN BEARING HEADSTOCK ASSEMBLY
For Vertical Countershaft Lathes



9-20X VERTICAL COUNTERSHAFT ASSEMBLY

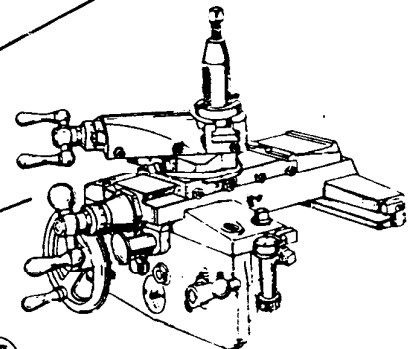
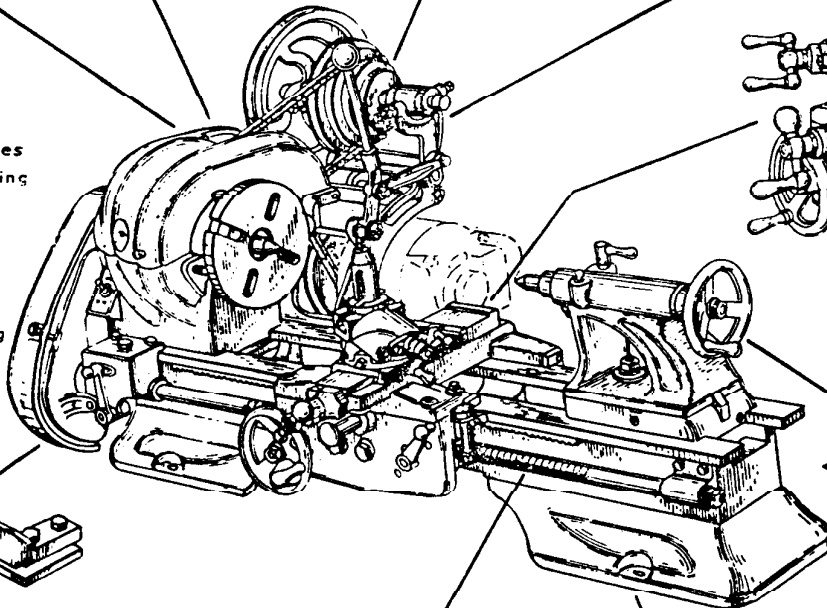


10-20X HORIZONTAL COUNTERSHAFT ASSEMBLY

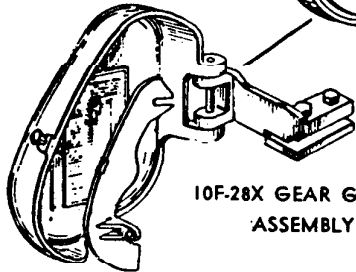


10A-2BXH TIMKEN BEARING HEADSTOCK ASSEMBLY
For Horizontal Countershaft Lathes
Replaces 10D-2BXH Babbitt Bearing Headstock Assembly

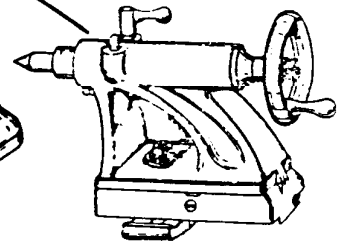
10A-2BXV TIMKEN BEARING HEADSTOCK ASSEMBLY
For Vertical Countershaft Lathes
Replaces 10D-2BXV Babbitt Bearing Headstock Assembly



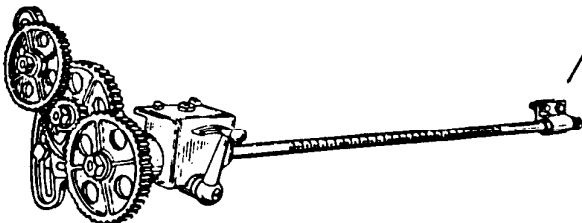
10F-9XY CARRIAGE ASSEMBLY



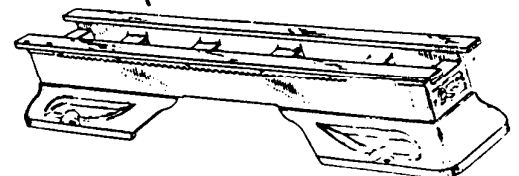
10F-28X GEAR GUARD ASSEMBLY



10D-5X TAILSTOCK ASSEMBLY



LEAD SCREW AND FEED GEAR ASSEMBLY



BED, LEGS AND RACK ASSEMBLY

10F-35-36X 36" MODEL LATHE
10F-35-42X 42" MODEL LATHE
10F-35-48X 48" MODEL LATHE
10F-35-54X 54" MODEL LATHE

9-1 BX 36" MODEL LATHE Not Available
942BX 42" MODEL LATHE
948BX 48" MODEL LATHE Not Available
954BX 54" MODEL LATHE

BABBITT BEARING HEADSTOCK REPLACEMENT PARTS*

Downloaded from <http://www.tooltrip.com>



Not Available

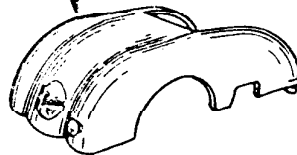
10D-246
GEAR GUARD (RIGHT)
FOR VERTICAL CTRSHAFT
LATHES ONLY



Not Available

10D-247
GEAR GUARD (LEFT)
FOR VERTICAL CTRSHAFT
LATHES ONLY

10-18
GEAR GUARD
FOR HORIZONTAL CTRSHAFT
LATHES ONLY

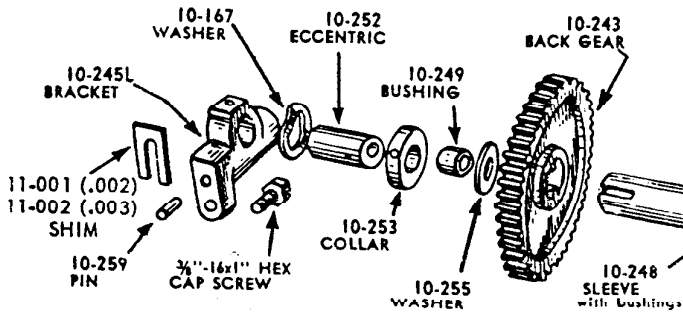


10-33L
BRACKET

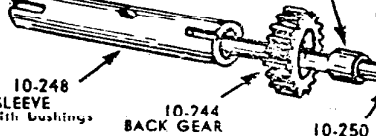
10-33R
BRACKET

10-82
HINGE PIN

3/8"-16x3/4" HEX
CAP SCREW (2 REQ'D.)



10-250X BACK GEAR ASSEMBLY



10-254
HANDLE

10-249
BUSHING

10-253
COLLAR

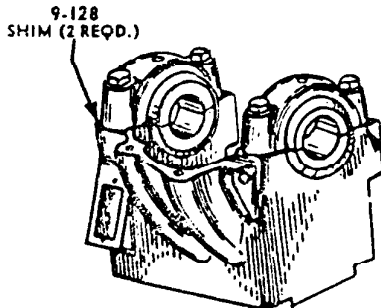
10-251
ECCENTRIC

10-167
WASHER

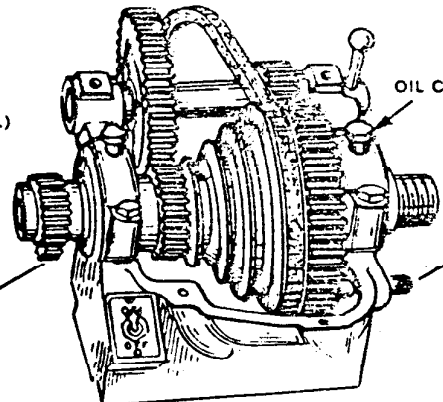
10-245 R
BRACKET

3/8"-16x1" HEX
CAP SCREW

711-001 (.002)
711-002 (.003)
SHIM

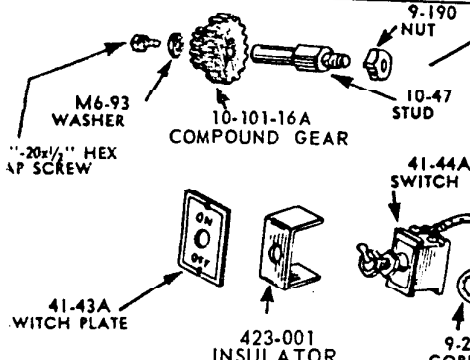


X10D-2BA TIMKEN BEARING HEADSTOCK
Replaces 10D-2BA Babbitt Bearing Headstock

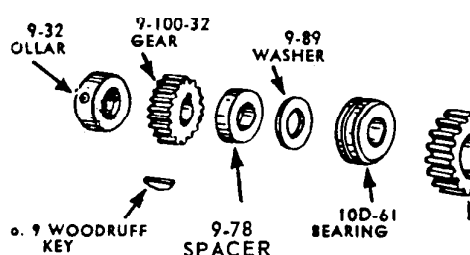


10A-2BXH HEADSTOCK ASSEMBLY
With Gear Guard - for Horizontal Countershaft Lathe
Replaces 10D-2BXH

10A-2BXV HEADSTOCK ASSEMBLY
for Vertical Countershaft Lathe
Replaces 10D-2BXV



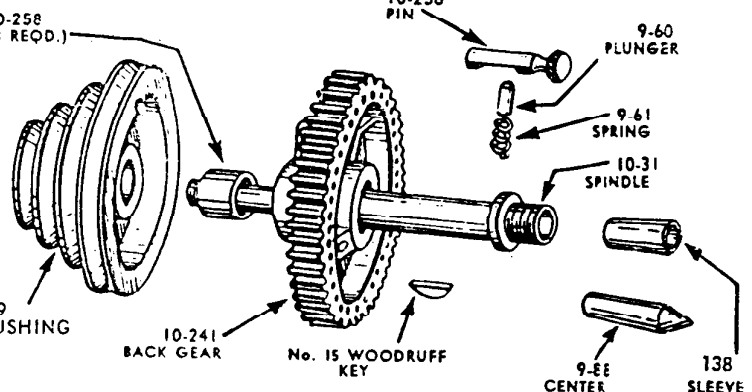
10-101-16A
COMPOUND GEAR



10-242
BACK GEAR WITH
PULLEY & BUSHING

* Replacement babbitt bearings not available. Order X10D-2BA conversion unit - includes headstock, spindle, Timken bearings, bearing shields and thrust collar.

10-31X SPINDLE ASSEMBLY



9-204
OIL CUP (2 REQ'D.)

10-42A
INDEX PIN

S10-21
SPINDLE BELT (Horizo
Ctrshaft)

9-126
SPINDLE BELT (Vertical
Ctrshaft)

9-210
BALL

9-61
SPRING

9-15
6" FACE PLATE

9-97
CLAMP

10-262
WASHER

1/2"-13x1 3/4" HEX
CAP SCREW

10-256
PIN

9-60
PLUNGER

9-61
SPRING

10-31
SPINDLE

No. 15 WOODRUFF
KEY

9-EE
CENTER

138
SLEEVE

TIMKEN BEARING HEADSTOCK PARTS

Downloaded from <http://www.tooltrip.com>

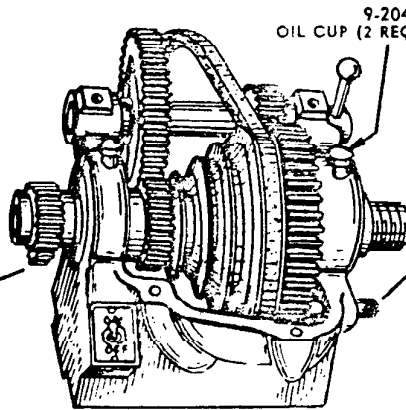
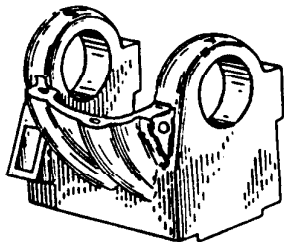
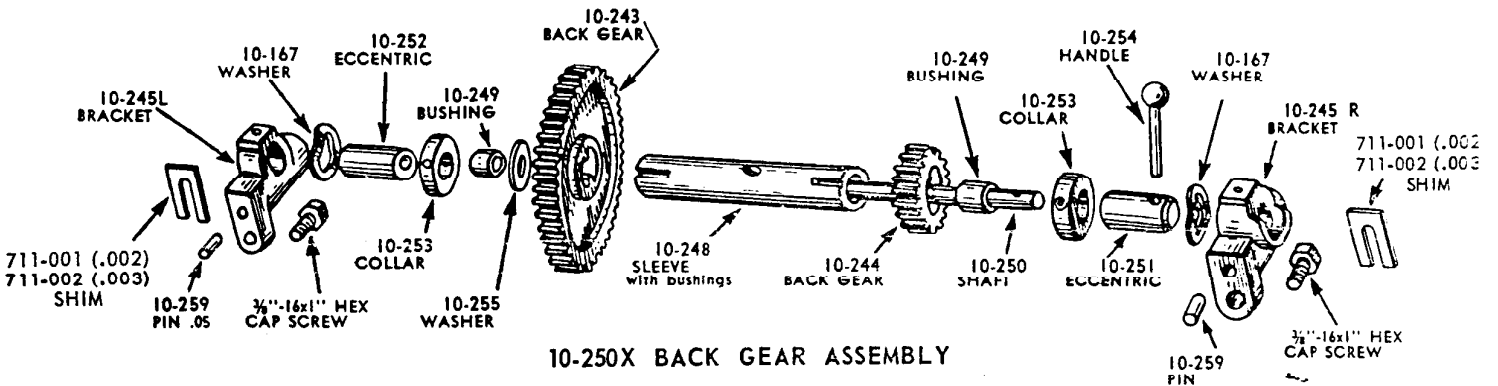
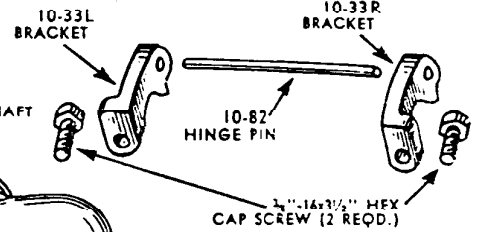
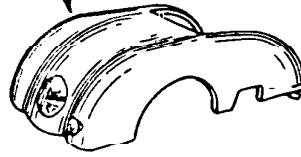


NOT AVAILABLE
10D-246
GEAR GUARD (RIGHT)
FOR VERTICAL CTRSHAFT
LATHES ONLY



NOT AVAILABLE
10D-247
GEAR GUARD (LEFT)
FOR VERTICAL CTRSHAFT
LATHES ONLY

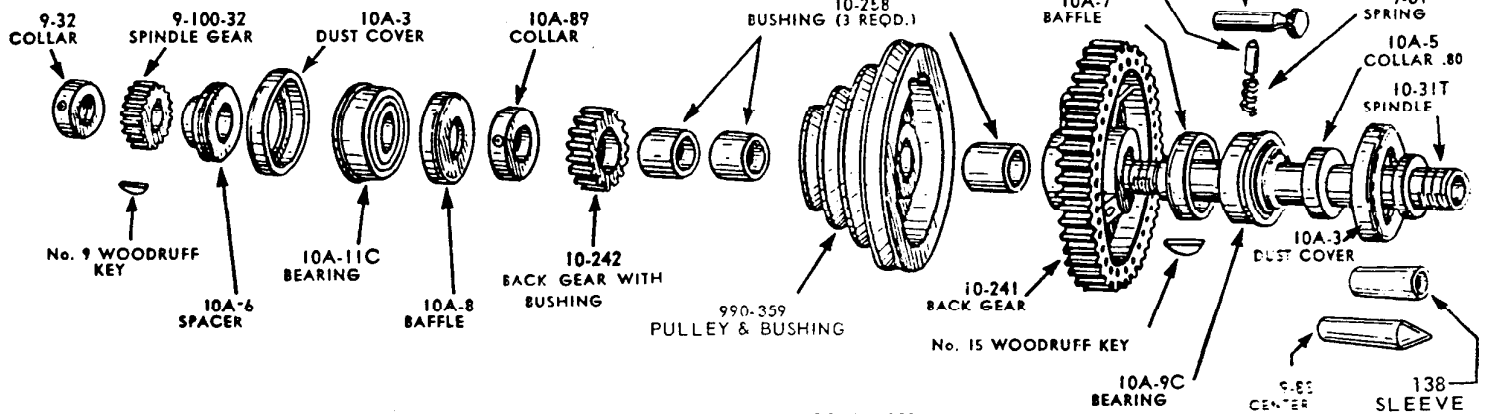
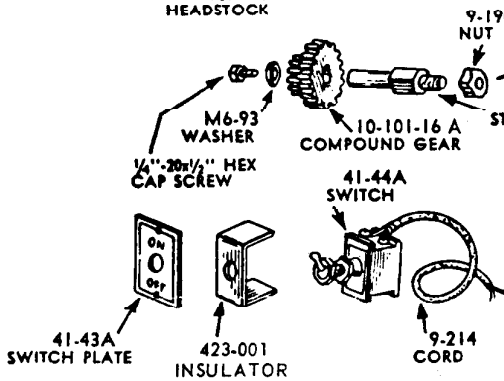
10-16
GEAR GUARD
FOR HORIZONTAL CTRSHAFT
LATHES ONLY



S10-21 SPINDLE BELT (Horizontal Ctrshaft)
9-126 SPINDLE BELT (Vertical Ctrshaft)

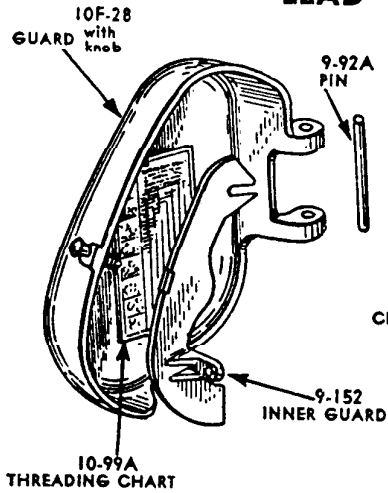
10A-2BXH HEADSTOCK ASSEMBLY
With Gear Guard-for Horizontal Countershaft Lathe

10A-2BVX HEADSTOCK ASSEMBLY
for Vertical Countershaft Lathe

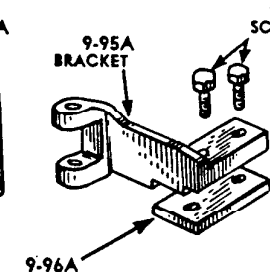


10-31TX SPINDLE ASSEMBLY

LEAD SCREW AND FEED GEAR PARTS



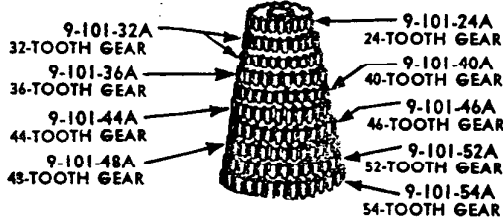
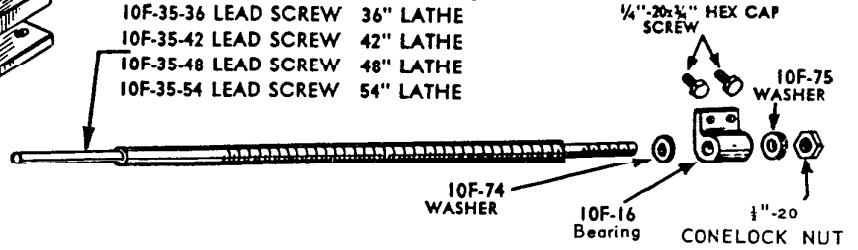
10F-28X GEAR GUARD ASSEMBLY



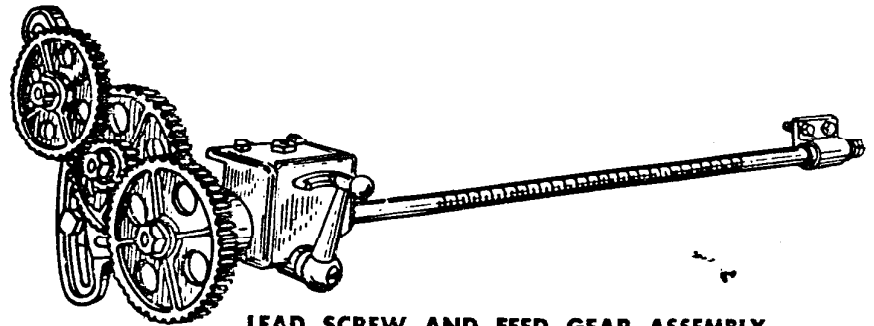
3/8"-16x1 1/2" HEX CAP SCREW (2 REQD.)

3/4" DIAMETER LEAD SCREWS

- 10F-35-36 LEAD SCREW 36" LATHE
- 10F-35-42 LEAD SCREW 42" LATHE
- 10F-35-48 LEAD SCREW 48" LATHE
- 10F-35-54 LEAD SCREW 54" LATHE

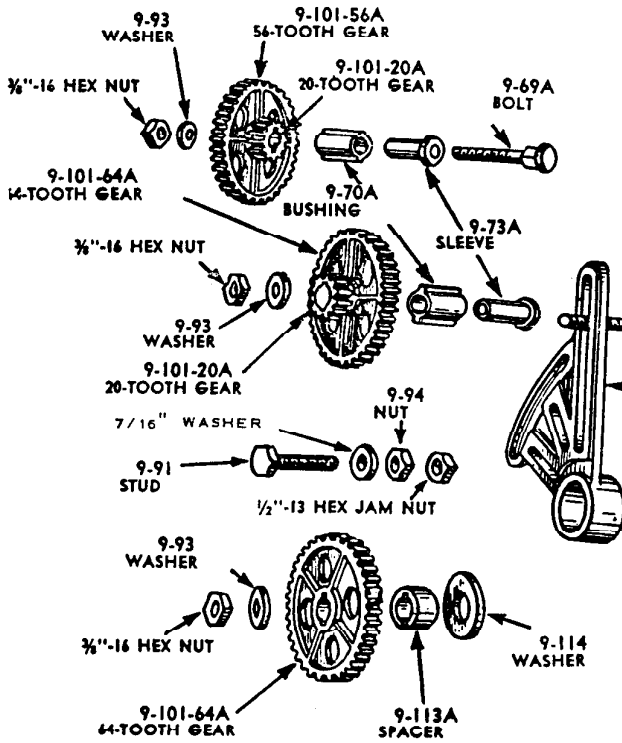


9-101A CHANGE GEAR ASSEMBLY

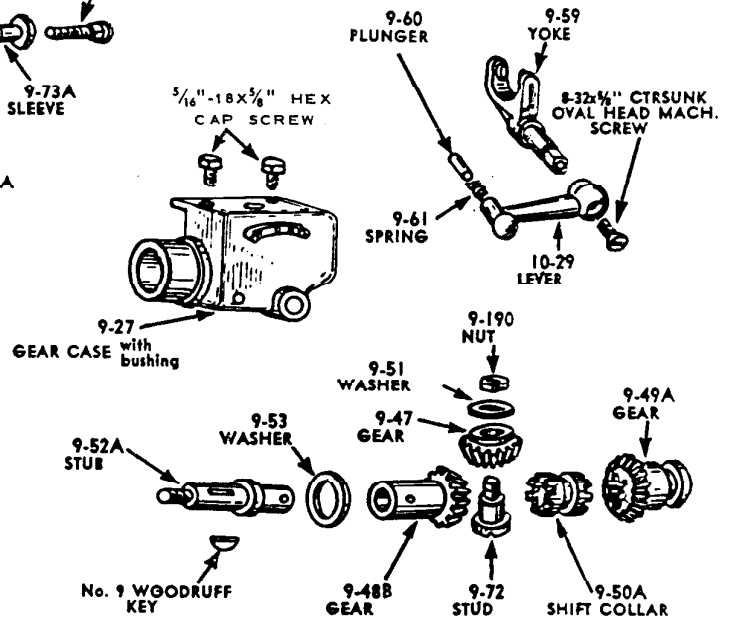


LEAD SCREW AND FEED GEAR ASSEMBLY

- 10F-35-36X 36" MODEL LATHE
- 10F-35-42X 42" MODEL LATHE
- 10F-35-48X 48" MODEL LATHE
- 10F-35-54X 54" MODEL LATHE

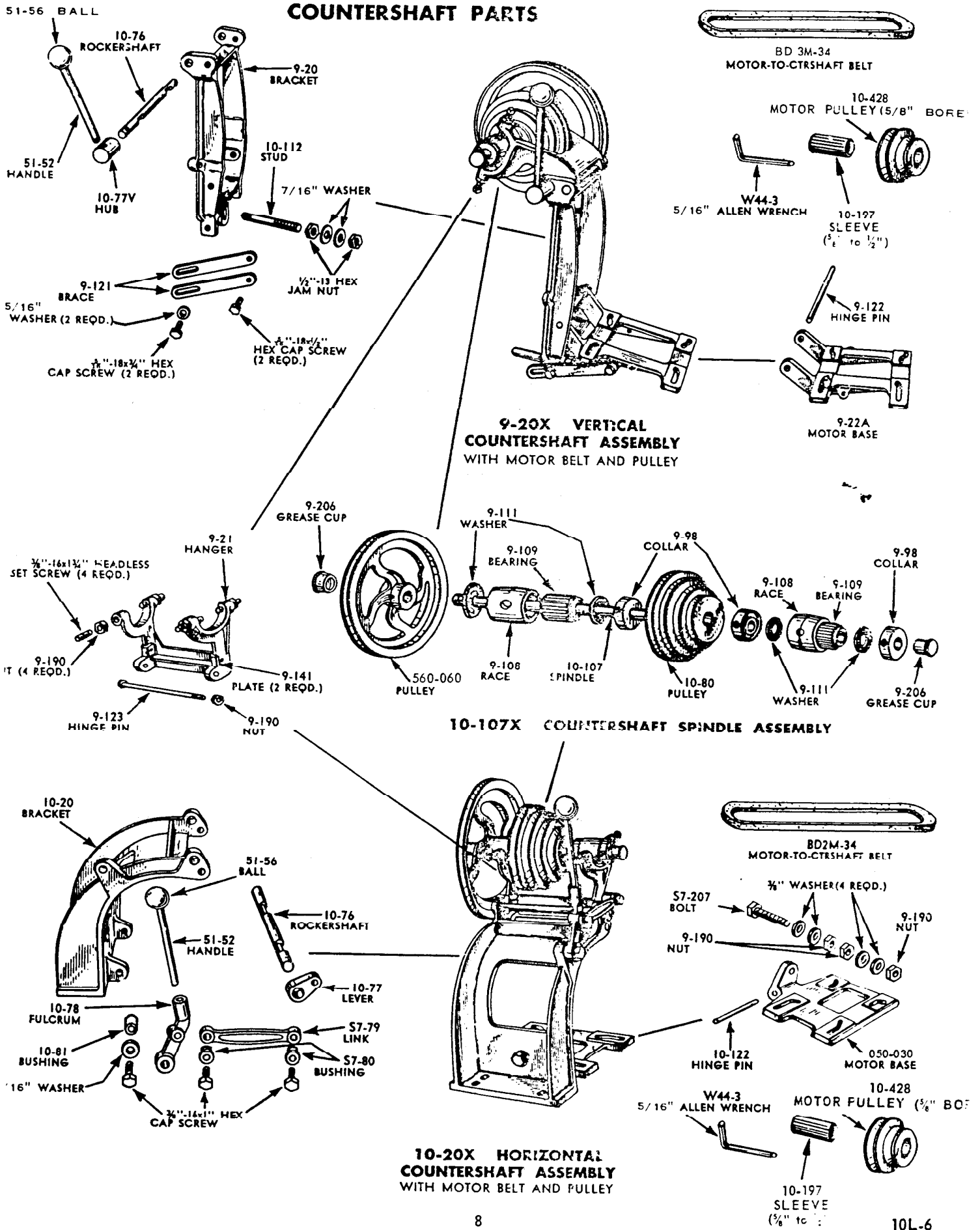


10-25X CHANGE GEAR BRACKET ASSEMBLY

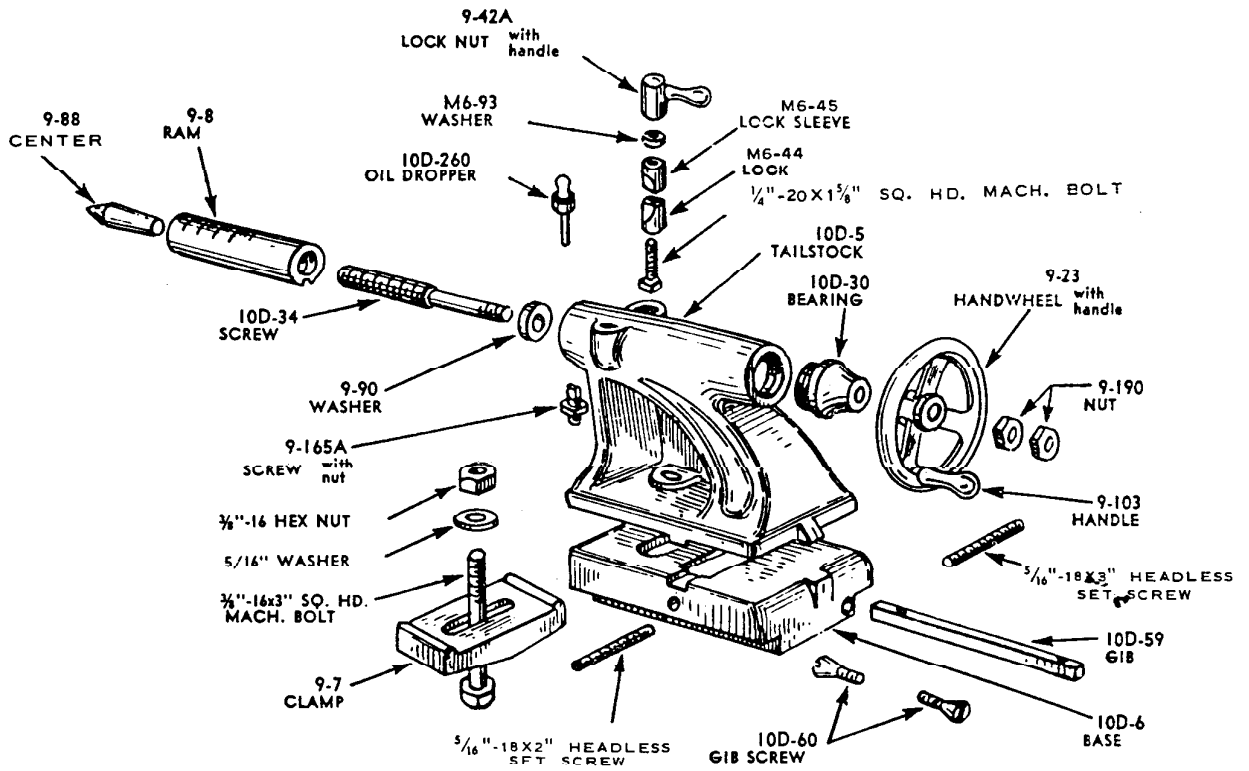


9-27X REVERSE GEAR CASE ASSEMBLY

COUNTERSHAFT PARTS



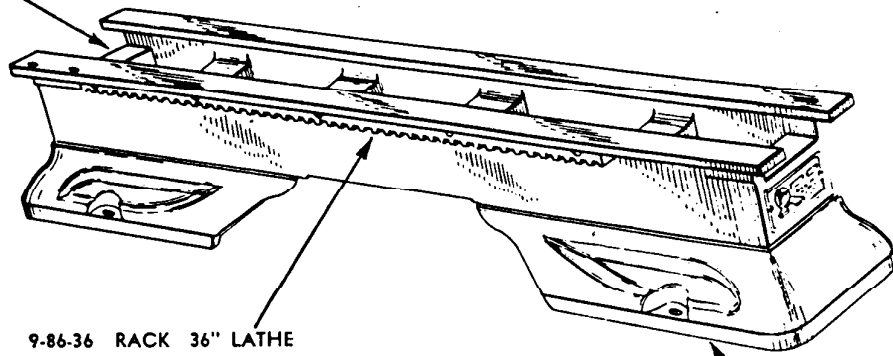
TAILSTOCK AND LATHE BED PARTS



10D-5X TAILSTOCK ASSEMBLY

942 B 42" LATHE BED ONLY

954 B 54" LATHE BED ONLY



9-86-36 RACK 36" LATHE
 9-86-42 RACK 42" LATHE
 9-86-48 RACK 48" LATHE
 9-86-54 RACK 54" LATHE

10F-150 BENCH LEG (2 REQ.)

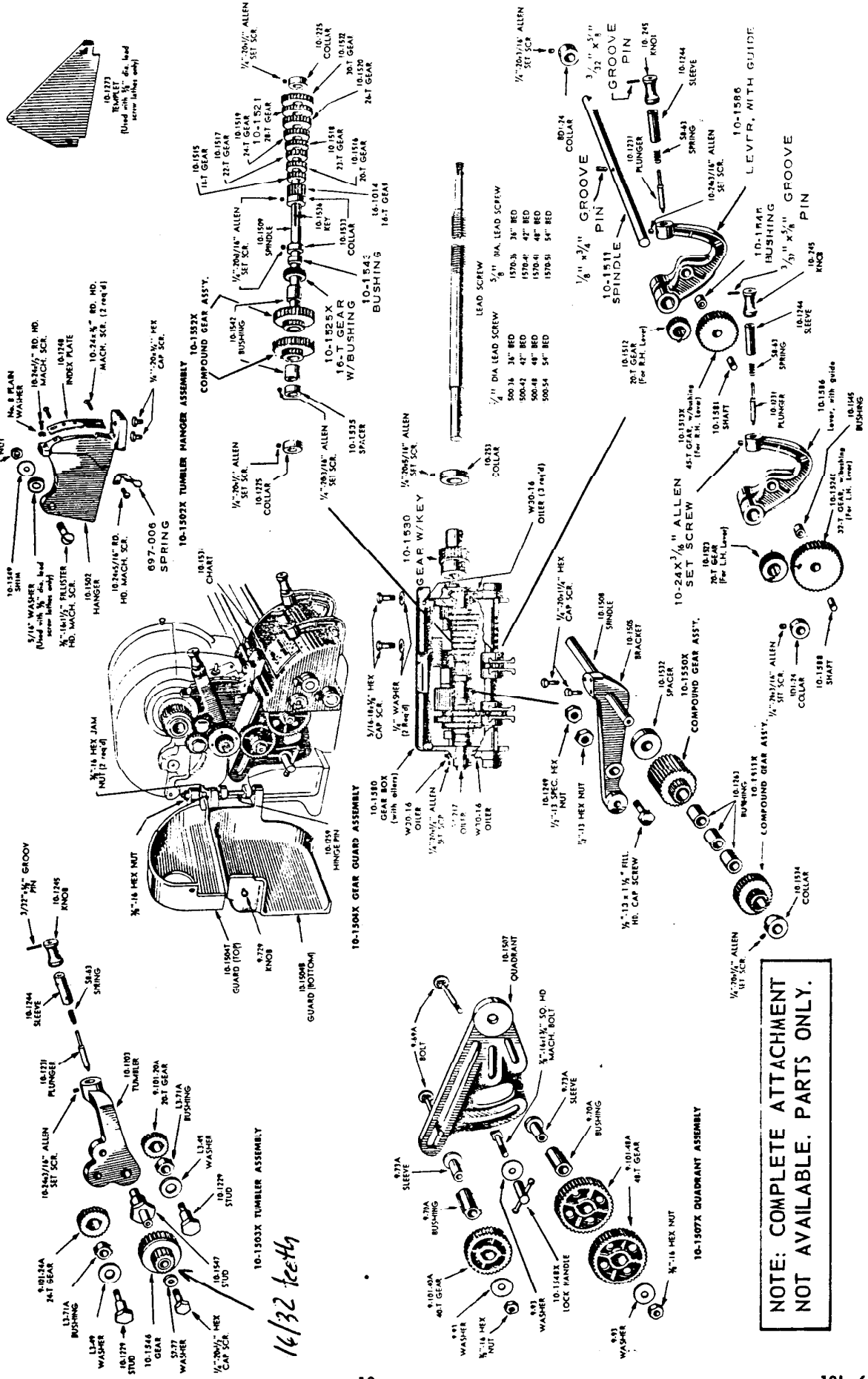
BED, LEGS, AND RACK ASSEMBLY

942BX 42" MODEL LATHE

954BX 54" MODEL LATHE

if your lathe has a Quick-Change attachment with this tumbler gear bracket -use this page for ordering parts.

REPAIR PARTS FOR ATLAS Nos. 1500 and 1570 QUICK-CHANGE ATTACHMENT



NOTE: COMPLETE ATTACHMENT NOT AVAILABLE. PARTS ONLY.