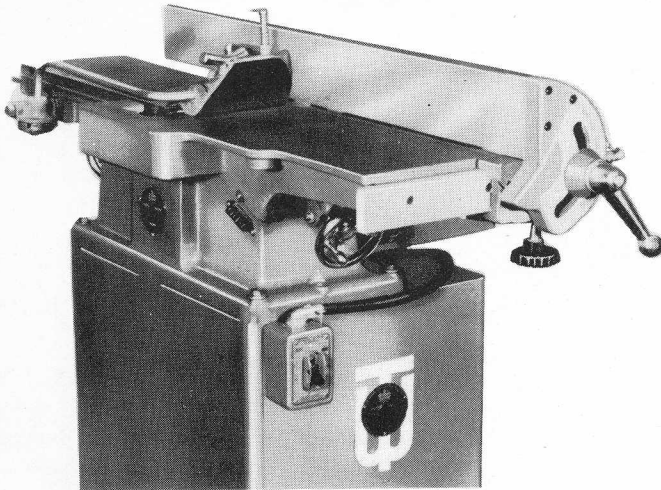


W T

ALKER-TURNER

DIVISION
ROCKWELL MANUFACTURING CO.
 PITTSBURGH, PA.



Parts List

6-INCH JOINTER

Model 6520-1

PART NO.	DESCRIPTION	QUAN- TITY	PRICE
22-83-1	Motor Plate	1	
65-6	Adjusting Screw Nut (with integral stud)	2	
65-7	Guide Bar	1	
65C8	Fence and Guide Assembly	1	
	(See figure 2 for details)		
65-9	Adjusting Screw Bracket	1	
	(See figure 5)		
65A30	Chip Breaker Assembly	3	
	(See figure 3 for details)		
65A47	Dual-Purpose Guard Assembly	1	
	(See figure 4 for details)		
65-48	Back Guard	1	
65-49	Back Guard Bracket	1	
61-51	Base	1	
65-52	Front Table	1	
65-53	Rear Table	1	
65C69	Cutter Head and Bearing Assembly ..	1	
	(See figure 3 for details)		
202-1	Screw (See figure 5)	4	
211A10	Table Adjusting Screw Assembly	2	
	(See figure 5 for details)		
211A11	Hand Knob and Stud Assembly	1	
213A7	Hand Knob and Stud Assembly	1	
223-9	Locking Nut	1	
235-2	Gib	2	
240-11	Washer	2	
242-3	Washer	2	
242-6	Washer (See figure 2)	1	
299-7	Table Locking Pin	4	
300-6	Key (See figure 3)	1	
321-21	Pointer	1	

PART NO.	DESCRIPTION	QUAN- TITY	PRICE
341A9	Pulley Assembly	1	
341-9	Pulley	1	
525-1606	Hollow Set Screw, 1/4-20 x 3/8 ...	2	
341A10	Pulley Assembly (See figure 3 for details)	1	
350-16	"V" Belt	3	
362-4	Handle (See figure 2)	1	
380-7-1	Name Plate (See figure 6)	1	
381-16	Depth Gauge	1	
485-1	Cutterhead Blades (See figure 3)	3	
490-5	Wrench, Special, 5/16	1	
500-2020	Square Head Bolt, 5/16-18 x 1-1/4 ..	1	
501-2424	Hex Head Screw, 3/8-16 x 1-1/2	2	
501-2512	Hex Cap Screw, 3/8-24 x 3/4	4	
504-2416	Carriage Bolt, 3/8-16 x 1	4	
506-1308	Flat Head Screw, No. 10-32 x 1/2 ...	2	
510-1612	Fillister Head Screw, 1/4-20 x 3/4 ...	4	
511-2112	Socket Head Cap Screw, 5/16-24 x 3/4	2	
511-2116	Socket Head Cap Screw, 5/16-24 x 1	4	
524-1614	Hollow Set Screw, 1/4-20 x 7/8	4	
542-13	Hex Nut, No. 10-32	2	
543-33	Hex Nut, Light, 1/2-20	2	
545-16	Hex Jam Nut, 1/4-20	4	
545-24	Hex Jam Nut, 3/8-16	8	
560-20	Washer, Std., 5/16	1	
560-24	Washer, Std., 3/8	8	
561-20	Washer, S.A.E., 5/16	4	
563-16	Lock Washer, Medium, 1/4	2	
563-24	Lock Washer, Medium, 3/8	10	
598-0703	Drive Screw, No. 4 x 3/16	3	
	(See figure 6)		
612-1308	Round Head Screw, Self Tapping, No. 10-32 x 1/2	3	

**WALKER-TURNER
6-INCH JOINTER**

PE-1

PART NO.	DESCRIPTION	QUAN- TITY	PRICE
65C8	Fence and Guide Assembly	1	
65-8	Guide Fence	1	
65A10	Guide Carriage Assembly	1	
65-10	Carriage	1	
214-11	Stud	1	
202-7	Headless Set Screw	2	
65-16	Protractor	1	
65A17	Index Plunger Assembly	1	
508-1305	Round Head Screw, No. 10-32 x 5/16	1	
65-62	Clamping Block	1	
225-4	Handle Hex Nut	1	
240-20	Washer	1	
310-10	Spring	1	
320-9	Pointer	1	
501-1708	Hex Head Screw, 1/4-28 x 1/2	1	
508-2008	Round Head Screw, 5/16-18 x 1/2	1	
511-2020	Socket Head Cap Screw, 5/16-18 x 1-1/4	3	
561-16	Washer, S.A.E., 1/4	1	
565-20	Lock Washer, Internal Teeth, 5/16	1	
213A7	Hand Knob and Stud Assembly	1	

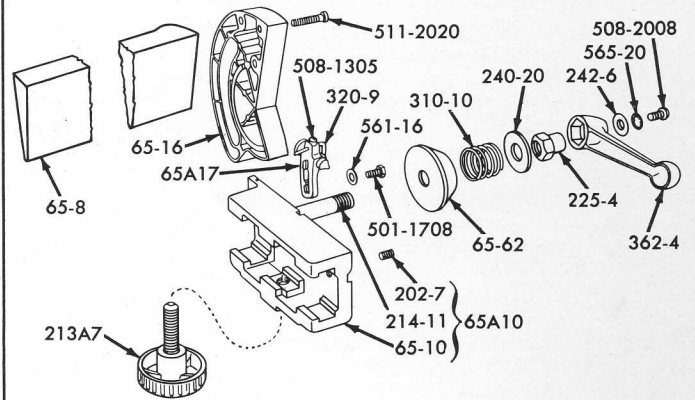


Figure 2. Fence and Guide 65C8 and Hand Knob 213A7

PART NO.	DESCRIPTION	QUAN- TITY	PRICE
65A30	Chip Breaker Assembly	3	
65-30	Chip Breaker	1	
201-18	Set Screw	4	
65C69	Cutter Head and Bearing Assembly ..	1	
65-13	Bearing Housing	2	
65-20	Bearing Housing Cup (with hole) .	1	
65-21	Bearing Housing Cup (without hole)	1	
65M69-1	Cutter Head and Shaft Assembly ..	1	
254A34	Collar Assembly	2	
254-34	Collar	1	
300-6	Key	1	
525-1604	Socket Set Screw, 1/4-20 x 1/4 ..	2	
370-10-1	Bearing	2	
341A10	Pulley Assembly	1	
341-10	Pulley	1	
525-1606	Hollow Set Screw, 1/4-20 x 3/8 ..	2	
65C69-2	Cutter Head and Bearing Assembly without Pulley	1	
485C1	Set of 3 Knives	1	

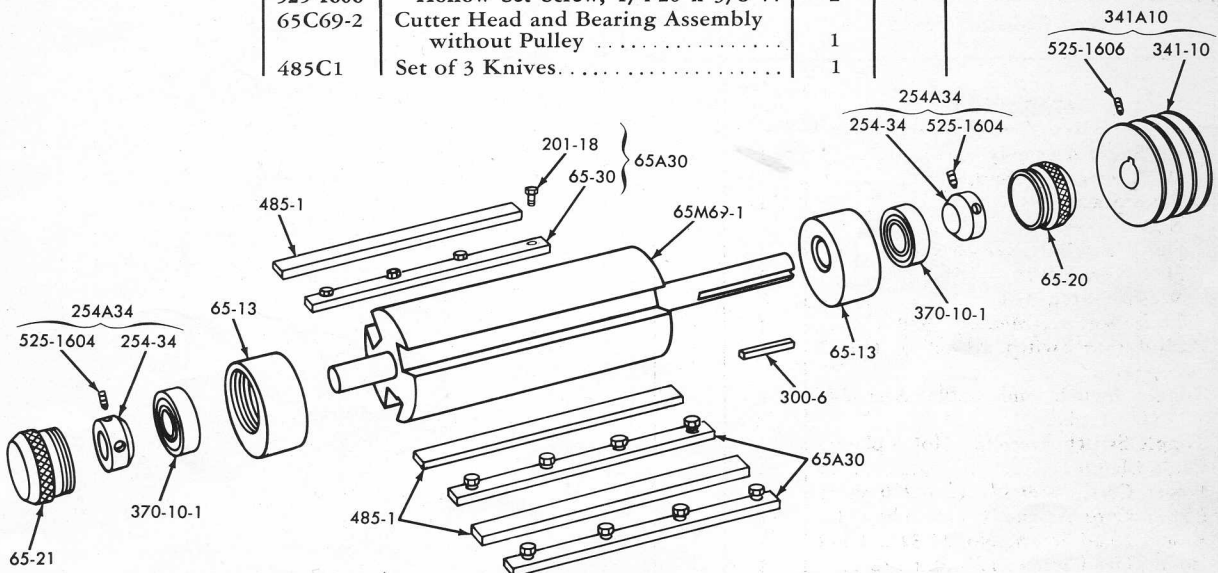


Figure 3. Cutter Head 65C69, Chip Breaker 65A30, and Pulley 341A10

WALKER-TURNER
6-INCH JOINTER

PART NO.	DESCRIPTION	QUAN-TITY	PRICE
65A47	Dual-Purpose Guard Assembly	1	
65A14	Spring Housing Assembly	1	
65-14	Spring Housing	1	
311-2	Spring	1	
65A19	Hold-Down Assembly	1	
65-27	Guard	1	
65-46	Spring Bracket	1	
65-54	Arm	1	
65A80	Safety Stop Collar Assembly	2	
65-80	Safety Stop Collar	1	
525-2004	Socket Set Screw, 5/16-18 x 1/4	1	
365A26	Pin and Handle Assembly	1	
501-3256	Hex Head Bolt, 1/2-13 x 3-1/2 (See figure 1)	1	
522-1610	Slotted Set Screw, 1/4-20 x 5/8	1	
543-32	Hex Nut, Light, 1/2-13 (See figure 1)	1	
545-16	Jam Nut, 1/4-20	1	
545-33	Jam Nut, 1/2-20	1	
561-32	Washer, S.A.E., 1/2	1	
570-0816	Roll Pin, 1/8 x 1	1	

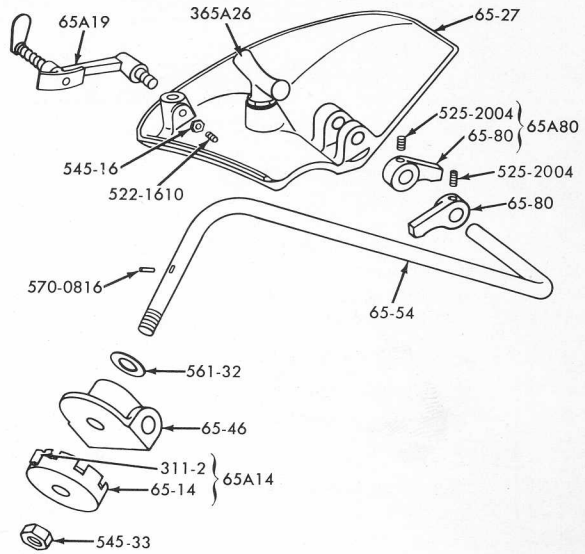


Figure 4. Dual-Purpose Guard 65A47

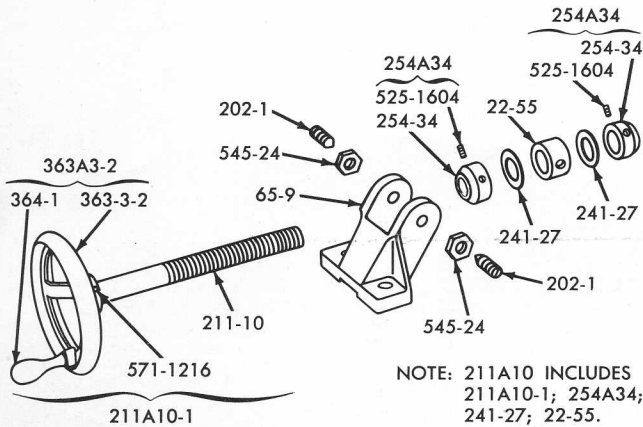


Figure 5. Table Adjusting Screw 211A10 and Related Parts

PART NO.	DESCRIPTION	QUAN-TITY	PRICE
65-9	Adjusting Screw Bracket	1	
202-1	Screw	4	
211A10	Table Adjusting Screw Assembly	2	
22-55	Collar	1	
211A10-1	Adjusting Screw & Handle Assembly	1	
211-10	Table Adjusting Screw	1	
363A3-2	Hand Wheel Assembly	1	
363-3-2	Hand Wheel	1	
364-1	Handle	1	
571-1216	Groove Pin, No. 1, 3/16 x 1	1	
241-27	Washer	2	
254A34	Collar Assembly	2	
254-34	Collar	1	
525-1604	Socket Set Screw, 1/4-20 x 1/4	2	
545-24	Hex Jam Nut, 3/8-16	4	

PART NO.	DESCRIPTION	QUAN-TITY	PRICE
390A55	Floor Stand Assembly	1	
380-18	W-T Insignia (Decal)	1	
390-55	Floor Stand	1	
390-56	Access Cover	1	
501-2440	Hex Head Bolt, 3/8-16 x 2-1/2	4	
541-24	Hex Nut, 3/8-16	4	
560-24	Washer, Std., 3/8	8	
563-24	Lock Washer, Medium, 3/8	4	
395A3	Push-Button Switch Assembly (for 3 phase)	1	
395A21	Toggle Switch and Cable Assembly (for 1 phase)	1	
395C22	Toggle Switch Assembly (for 3 phase)	1	
396-78	Cable Clamp	2	
396C88	Power Cord Assembly (for 220 volt)	1	
396C89	Power Cord Assembly (for 110 volt)	1	
508-1324	Round Head Screw, No. 10-32 x 1-1/2	2	
508-1608	Round Head Screw, 1/4-20 x 1/2	2	
541-13	Hex Nut, No. 10-32	2	
561-12	Washer, S.A.E., 3/16	2	

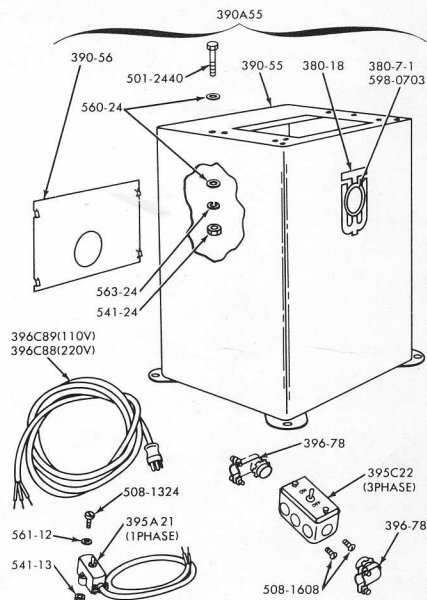


Figure 6. Floor Stand 390A55, Switches, and Power Cord